

客服热线：400-830-3938 800-830-3938

直流384VDC 系列
10-200kVA UPS

使用手册
USER MANUAL

感谢您使用Santak产品!

请严格遵守本手册中和机器上的所有警告及操作说明，并妥善保管本手册。在没有阅读完所有的安全说明和操作说明以前，请不要操作本机。

本手册适用于SIU系列产品，包括：

SIU10K-31

SIU15K-31

SIU20K-31

SIU30K-31

SIU40K-31

SIU50K-31

SIU60K-31

SIU80K-31

SIU100K-31

SIU120K-31

SIU160K-31

SIU200K-31

重要安全说明

请保存好这些说明

本手册包含安装和维护UPS和电池时应遵守的重要说明。请在开始操作设备前阅读所有说明，并妥善保存此手册，以备将来查询。



警告

根据 GB 7260.2-2009，本产品适用于第二环境商业和工业应用。为避免电磁干扰，可能需要采取安装限制或额外措施。

© 2024 年Santak公司

保留所有权利

本手册内所包含的所有内容属于 Santak 公司所有，未经许可，不得复制（或摘录）。本公司致力于技术创新，不断提供更好的产品和服务满足客户需求，对产品设计，技术规格的升级，恕不另行通知。产品以实物为准。

SANTAK END USER LICENSE AGREEMENT FOR Industrial UPS Santak

山特最终用户许可协议

This End User License Agreement (the “Agreement”) is a legal agreement between you and the Contracting Entity (as defined below). For the purposes of this Agreement, any reference to “Santak” shall include the Contracting Entity, its holding company, its affiliates and subsidiaries. This Agreement, and any other terms or conditions notified to you, governs your access to and use of Industrial UPS Santak (the “Product Software”).

本最终用户许可协议（“本协议”）为您和缔约主体（定义见下文）之间的法律协议。为本协议之目的，凡提及“山特”应包括缔约主体、其控股公司、其关联公司和子公司。本协议以及通知给您的任何其他条款或条件约束您对[工业机UPS]（“产品软件”）的访问和使用。

Your use of the Product Software is subject to the terms of this Agreement as set out below which includes any terms or conditions of the Product Software which may be notified to you from time to time.

您对产品软件的使用受限于本协议的下述条款，包括可能不时通知您的关于产品软件的任何其他条款或条件。

By using the Product Software, you agree to us collecting and using anonymised technical information about the devices you use the Product Software on and related software, hardware and peripherals to improve our products and to provide any services to you.

您使用产品软件，即表示您同意我们收集并使用关于您使用产品软件的设备以及相关软件、硬件和外围设备的匿名技术信息，以改进我们的产品并向您提供服务。

By using the Product Software, you agree to the terms of this Agreement. Your right to use the Product Software is expressly conditioned on acceptance of this Agreement.

一旦您使用产品软件，即表示您同意本协议的条款。您使用产品软件的权利明确以您接受本协议为前提条件。

1. INFORMATION ABOUT US

关于我们的信息

- 1.1 Santak Electronic (Shenzhen) Co., Ltd. is registered in PRC and has its registered address at No. 8 Baoshi Road, Block 72 Baoan District Shenzhen, China (the “Contracting Entity”).
山特电子（深圳）有限公司在中国注册，其注册地址为中国深圳市宝安区72区宝石路8号（“缔约主体”）。
- 1.2 If you have any questions about this Agreement, the Privacy Statement or any other terms or conditions in connection with the Product Software, please contact us at dataprotection@eaton.com.
如果您对本协议、隐私声明或任何其他与产品软件相关的条款或条件有任何疑问，请通过 dataprotection@eaton.com与我们联系。

2. DEFINITIONS

定义

2.1 In this Agreement the following expressions shall have the following meanings:

在本协议中，下列表述应具有以下含义：

“Arbitrator”	has the meaning as defined in Clause 28.2;
“仲裁员”	具有第28.2条中所定义的含义；
“Business Day”	means a calendar day other than a Saturday, Sunday, Bank Holiday or other statutory holiday in the jurisdiction in which the Contracting Entity is registered;
“工作日”	指在缔约主体注册的司法管辖区内除星期六、星期日、银行假日或其他法定假日以外的任何公历日；
“Contracting Entity”	has the meaning as defined in Clause 1.1;
“缔约主体”	具有第1.1条中所定义的含义；
“Credentials”	has the meaning as defined in Clause 3.7;
“资格证书”	具有第3.7条中所定义的含义；
“Dispute”	means any claim, dispute or difference arising under or in connection with this Agreement;
“争议”	指在本协议项下发生的或与本协议有关的任何权利主张、争议或分歧；
“Documentation”	means any tutorials, user guides and other documents accompanying or made available with the Product Software solely for your own internal business purposes;
“文件”	指仅为您自身内部业务之目的，产品软件附带的或与产品软件一起提供的任何教程、用户指南和其他文件；
“Santak Hardware”	means the Santak product provided by Santak to you, which may include Product Software within it;
“山特硬件”	指由山特提供给您的山特产品，其中可能包括产品软件；
“Santak Open Source Components”	has the meaning as defined in Clause 10.1;
“山特开源组件”	具有第10.1条所定义的含义；
“Santak Website”	has the meaning as defined in Clause 16.1;
“山特网站”	具有第16.1条所定义的含义；
“Effective Date”	means the date upon which you agree to abide by the terms and conditions of this Agreement;
“生效日期”	指您同意遵守本协议条款和条件的日期；
“Export Laws”	has the meaning as defined in Clause 27.1;
“出口法”	具有第27.1条所定义的含义；
“Fees”	has the meaning as defined in Clause 11.1;
“费用”	具有第11.1条所定义的含义；
“Feedback”	has the meaning as defined in Clause 21.2;
“反馈”	具有第21.2条所定义的含义；
“Force Majeure Event”	has the meaning as defined in Clause 25.1;
“不可抗力事件”	具有第25.1条所定义的含义；
“GDPR”	has the meaning as defined in Clause 19.1;
“GDPR”	具有第19.1条所定义的含义；
“Indemnified Parties”	has the meaning as defined in Clause 15.1;
“受偿方”	具有第15.1条所定义的含义；

“Intellectual Property Rights”	means any ideas (whether or not patentable), inventions, discoveries, processes, works of authorship, marks, names, know-how, and any and all rights in such materials throughout the world, whether existing under statute, common law or equity, now or hereinafter recognized, including but not limited to (i) patents, designs, inventor’s certificates, utility models, copyrights, moral rights, trade secrets, mask works, trade names and marks, service marks, trade dress, domain names, confidential information and know-how; (ii) any application or right to apply for any of the rights referred to in section (i); and (iii) all renewals, extensions, and restorations, now or hereinafter in force and effect for any of the rights referred to in section (i);
“知识产权”	指世界各地的任何创意（无论是否可申请专利）、发明、发现、流程、著作权作品、标志、名称、专有技术以及该等材料中的任何和所有权利，无论是在成文法、普通法或衡平法项下存在，此处或下文承认，包括但不限于：（i）专利、设计、发明人证书、实用新型、著作权、人身权、商业秘密、掩膜作品、商号和商标、服务商标、商业外观、域名、保密信息和专有技术；（ii）第（i）节所述的任何权利的任何申请或申请权；及（iii）第（i）节所述的任何权利的当前或此后有效的所有续期、延期和恢复；
“Materials”	has the meaning as defined in Clause 21.4;
“材料”	具有第21.4条所定义的含义；
“Product Software”	means the software provided by Santak to you, which includes any applications, firmware and/or platforms provided to you from time to time;
“产品软件”	指山特向您提供的软件，包括不时向您提供的任何应用程序、固件和/或平台；
“Support Services”	has the meaning defined in Clause 12.1;
“支持服务”	具有第12.1条所定义的含义；
“Third Party Licensors”	has the meaning as defined in Clause 9.1;
“第三方许可人”	具有第9.1条所定义的含义；
“Third Party Links and Ads”	has the meaning as defined in Clause 23.1;
“第三方链接和广告”	具有第23.1条所定义的含义；
“Third-Party Providers”	has the meaning as defined in Clause 21.5;
“第三方提供者”	具有第21.5条所定义的含义；
“Updates”	has the meaning as defined in Clause 6.1.
“更新”	具有第6.1条所定义的含义；

3. GRANT AND SCOPE OF LICENSE

许可的授予与范围

- 3.1 In consideration of you agreeing to abide by the terms of this Agreement, Santak hereby grants to you, a limited, non-exclusive, non-transferable, non-sub-licensable, and revocable license to access and use the Product Software with the Santak Hardware, which is provided to you for your own internal business purposes, solely for your use as permitted in these terms.
鉴于您同意遵守本协议的条款，山特特此授予您有限的、非独家的、不可转让的、不可再许可的和可撤销的许可，以访问和使用与山特硬件一起的产品软件，该产品软件是为您自己的内部商业目的提供的，仅供您在本条款中允许范围内使用。
- 3.2 Subject to the limited rights expressly granted above, Santak and its licensors or suppliers reserve all right, title and interest in and to the Product Software, its underlying technology and all Intellectual Property Rights therein. You acknowledge that no licenses or rights are granted to you by implication or otherwise in respect of the Product Software, other than those expressly set forth in this Agreement. You agree not to remove, change or obscure any Intellectual Property Rights notices incorporated in or accompanying the Product Software. You agree to abide by all applicable national and international laws in connection with the use of the Product Software, including those related to cybersecurity and piracy, data protection, privacy, international communications and the transmission of technical or personal data.
除上述明确授予的有限权利外，山特及其许可人或供应商保留对产品软件、其基础技术和其中的所有知识产权的所有权

利、所有权和利益。您承认，除本协议中明确规定的权利外，没有通过暗示或其他方式向您授予与产品软件有关的任何许可或权利。您同意不删除、改变或隐藏产品软件中包含的或附带的任何知识产权通知。您同意遵守与使用产品软件有关的所有适用的国家和国际法律，包括与网络安全和盗版、数据保护、隐私、国际通信和技术或个人数据的传输有关的法律。

- 3.3 Santak may make services available to you that are provided, in whole or in part, by other parties. Although Santak may offer this opportunity, you acknowledge that any third party services that you use in connection with the Product Software are not part of the Product Software. You further acknowledge that these terms do not apply to any third party service providers and that your use of those services may require you to agree to additional terms with the third party service provider.
山特可能向您提供全部或部分由其他方提供的服务。尽管山特可能会提供这种机会，但您承认，您使用的与产品软件相关的任何第三方服务不是产品软件的组成部分。您进一步承认，这些条款不适用于任何第三方服务提供者，您对这些服务的使用可能需要您与第三方服务提供者达成额外的条款。
- 3.4 You shall as soon as reasonably practicable notify Santak in writing by email or by phone to the relevant contact information provided in the “contact us” section below if you become aware of any use of the Product Software other than in accordance with this Agreement and all applicable laws, rules and regulations. Without limiting the generality of the foregoing, you shall notify, and shall promptly notify, Santak if you become aware of any third party that does or attempts to: (i) de-compile or reverse engineer the Product Software; (ii) sell, re-license, distribute or commercially exploit the Product Software; (iii) except as expressly permitted by this Agreement, make the Product Software available through any means or media without the prior written approval of Santak; (iv) except as expressly permitted by this Agreement, copy, modify, publish, transmit, participate in the license or re-license, transfer or sale of, reproduce, create derivative works from, distribute, perform, display or in any way exploit the Product Software, in whole or in part, without the prior written consent of Santak; and (v) engage in any activity that interferes with or disrupts the Product Software (or the servers and networks connected to the Product Software).
如果您意识到对产品软件的任何使用不符合本协议和所有适用的法律、法规和规章，您应在合理可行的情况下尽快根据以下“联系我们”部分提供的相关联系信息，以电子邮件或电话的方式书面通知山特。在不限制上述规定的一般性的前提下，如果您发现有任何第三方进行或试图进行以下行为，您应及时通知山特：(i) 对产品软件进行反向编译或反向工程；(ii) 对产品软件进行出售、重新许可、分发或商业利用；(iii) 除本协议明确允许的情况外，未经山特事先书面批准，通过任何方式或媒体提供产品软件；(iv) 除本协议明确允许外，未经山特事先书面同意，复制、修改、出版、传送、参与许可或重新许可、转让或销售、再现、创造衍生作品、分发、执行、展示或以任何方式利用全部或部分产品软件；以及(v)从事任何干扰或破坏产品软件（或与产品软件相连的服务器和网络）的活动。
- 3.5 You shall not make more than one (1) copy of the Product Software and such copy is to be made solely for backup and/or archival purposes. You shall account for and number any such copy. All titles, trademarks, copyright and restricted rights or proprietary notices included in the Product Software shall not be removed and must be reproduced in such copy.
您不得制作超过[一（1）]份产品软件的副本，且此类副本仅用于备份和/或存档目的。您应当对任何此类副本进行说明和编号。所有包含在产品软件中的标题、商标、版权和限制性权利或所有权声明都不得被删除，并且必须在此类副本中再现。
- 3.6 You shall not make more than one (1) copy of the Documentation for use by you in connection with the authorized use of the Product Software and you shall account for and number any such copy. All titles, trademarks, copyright and restricted rights or proprietary notices included in the Documentation shall not be removed and must be reproduced in such copy.
您不得制作超过[一（1）]份文件的副本，供您在授权使用产品软件时使用，并且您应对任何此类副本进行说明和编号。所有包含在文件中的标题、商标、版权和限制性权利或所有权声明不得被删除，并且必须在此类副本中再现。
- 3.7 You may be required to register to use the Product Software. If so, you must have a valid account with a username and password (“Credentials”). You may register for such Credentials at the direction(s) provided with the Product Software or by an authorized Santak representative. The date of registration shall be the Effective Date of this Agreement. You are responsible for maintaining the confidentiality of your Credentials, and for ensuring that each password is only used by employees granted access to the Product Software on your behalf. You are liable for all transactions and other activities carried out under your Credentials. You agree to promptly notify Santak if any password is lost, stolen, disclosed to an unauthorized party, or otherwise may have been compromised. You agree to immediately notify Santak of any unauthorized use of your account or any other breach of security in relation to the Product Software known to you. Santak shall have no liability for any loss or damage arising from your failure to comply with these requirements or any other losses arising from such unauthorized access. If Santak suspends or terminates your account under this Agreement, you acknowledge that all information and content associated with such account will no longer be available to you.
您可能被要求注册以使用产品软件。如果是这样，您必须拥有一个带有用户名和密码的有效帐户（“资格证书”）。您可以按照产品软件提供的指导或由授权的山特公司代表注册该资格证书。注册日期应是本协议的生效日期。您有责任维护您的资格证书的机密性，并确保每个密码仅由代表您获准访问产品软件的雇员使用。您对以您的资格证书进行的所有交易和其

他活动负责。您同意在任何密码丢失、被盗、被透露给未经授权的一方或在其他方面可能受到损害时及时通知山特。您同意在您的帐户被擅自使用或您所知道的与产品软件有关的任何其他违反安全的情况下立即通知山特。对于因您未能遵守这些要求而引起的任何损失或损害，或因该等未经授权的访问而引起的任何其他损失，山特不承担任何责任。如果山特根据本协议中止或终止您的帐户，您承认与该帐户相关的所有信息和内容将不再向您提供。

4. LOCATION DATA

位置数据

- 4.1 The Product Software may make use of location data sent from your devices. Where applicable, you can turn off this functionality at any time by turning off the location services settings for the Product Software on the device. If you use the Product Software, you consent to us and our affiliates' and licensees' transmission, collection, retention, maintenance, processing and use of your location data and queries to provide and improve location-based and road traffic-based products and services.
本产品软件可能会利用从您的设备上发送的位置数据。在此情况下，您可以在任何时候通过关闭设备上的产品软件的位置服务设置来关闭该功能。如果您使用本产品软件，您同意我们及我们的关联公司和被许可人传输、收集、保留、维护、处理和使用您的位置数据和查询，以提供和改进基于位置和道路交通的产品和服务。
- 4.2 You may stop us collecting such data at any time by turning off the location services settings on your device.
您可以在任何时候通过关闭您设备上的定位服务设置来阻止我们收集此类数据。

5. NECESSARY EQUIPMENT

必要设备

- 5.1 Full use of the Product Software is dependent upon your use of a device with Internet access and the purchase of Santak Hardware in which it is installed or to which the Product Software pertains as described in the Documentation.
产品软件的完全使用需要您使用可上网的设备，并购买安装该软件的山特硬件或文件中所述的产品软件所涉及的硬件。
- 5.2 In order for the Product Software to operate fully, your device may need to be connected to certain wireless and/or communication based technologies. There may be delays, limitations and other problems inherent in the use of the Internet and wireless and/or communication based technologies. Santak is not responsible for any delays, failures or other damages resulting from such problems and/or the costs/charges associated with internet data usage.
为了使产品软件能够充分运行，您的设备可能需要与某些无线和/或基于通信的技术相连接。在使用互联网和无线和/或基于通信的技术时，可能会有延迟、限制和其他固有的问题。山特对因这些问题和/或与互联网数据使用有关的费用/收费而造成的任何延误、故障或其他损失不承担责任。
- 5.3 The maintenance and security of this equipment may affect the performance of the Product Software and it is your responsibility to ensure the equipment' s functionality is compatible and for making all arrangements necessary for you to have access to the Product Software.
该设备的维护和安全可能会影响产品软件的性能，您有责任确保该设备的功能是兼容的，并为您访问产品软件作出一切必要的安排。
- 5.4 Internet transmissions are never completely private or secure. Any message or information you send using the Product Software may be read or intercepted by others, even if there is a special notice that a particular transmission is encrypted.
互联网传输从来不是完全私密或安全的。您使用产品软件发送的任何信息或资料都可能被他人读取或截获，即使有特别通知表明某一传输是加密的。

6. UPDATES

更新

- 6.1 You are solely responsible for the maintenance and upkeep of the Product Software. Santak has no obligation to provide updates or maintenance to the Product Software. You agree to install or allow automatic installation of all corrections of substantial defects, security patches, minor bug fixes and updates, including any enhancements ("Updates"), for the Product Software in accordance with the instructions and as directed by Santak.
您对产品软件的维护和保养负全部责任。山特没有义务为产品软件提供更新或维护。您同意按照山特的说明和指示，为产品软件安装或允许自动安装所有实质性缺陷的修正、安全补丁、小的错误修复和更新，包括任何改进 ("更新")。

- 6.2 The provisions of this Agreement shall govern any Updates provided by Santak, unless such Updates are accompanied by, or references, a separate license agreement in which case the terms of that license agreement shall prevail. 本协议的规定应适用于山特提供的任何更新，除非该等更新附有或提及单独的许可协议，在此情况下，应以该许可协议的条款为准。
- 6.3 We reserve the right, without notice to you, to update, change, and discontinue (temporarily or permanently) any feature or component of the Product Software. Alternatively, we may ask you to update the Product Software. By continuing to use the Product Software you accept the updates and changes to the Product Software including any changes to or removal of features or components. You agree that your obligations are neither contingent upon the delivery of any future functionality or features nor dependent upon any oral or written comments made by us with respect to future functionality or features. Santak is not liable to you or to any third party for any update, change, suspension, discontinuance of any feature or component of the Product Software. Santak reserves the right to determine the timing and content of software updates, which may be automatically downloaded and installed by the Product Software without your notice. If you chose not to install such updates or if you opt out of automatic updates you may not be able to continue using the Product Software. 我们保留在不通知您的情况下，更新、改变和停止（暂时或永久）产品软件的任何功能或组件的权利。或者，我们可能要求您更新产品软件。继续使用产品软件表明您接受对产品软件的更新和变更，包括对功能或组件的任何变更或删除。您同意，您的义务既不取决于任何未来功能或特性的交付，也不取决于我们就未来功能或特性所作的任何口头或书面评论。山特不因产品软件的任何功能或组件的更新、变更、暂停、中断而对您或任何第三方负责。山特保留决定软件更新的时间和内容的权利，产品软件可能会自动下载和安装这些软件，而无需通知您。如果您选择不安装此类更新或选择退出自动更新，您可能无法继续使用该产品软件。

7. TRANSFER AND ASSIGNMENT RESTRICTIONS

转让限制

- 7.1 You agree not to sell, resell, assign, lease, sub-license, encumber or otherwise transfer your interest in this Agreement or in the Product Software and/or Documentation, in whole or in part, or allow any other person or entity, including any of your parent or subsidiaries or other subsidiaries of your parent, to copy, distribute, or otherwise transfer the Product Software without the prior written consent of Santak. 您同意，在未经山特事先书面同意的情况下，不出售、转售、转让、租赁、分许可、设定权利负担或以其他方式转让您在本协议或产品软件和/或文件中的全部或部分权益，或允许任何其他个人或实体，包括您的母公司或子公司或您母公司的其他子公司，复制、分发或以其他方式转让产品软件。
- 7.2 You may transfer the Product Software directly to a third party only in connection with the sale of the Santak product in which it is installed or to which the Product Software pertains as described by Santak in the Documentation. In the event of such a sale, you may not keep any copies of the Product Software or any portion thereof and you undertake to ensure the third party to whom you transfer the Product Software is made aware of, agrees to and complies with all of the provisions of this Agreement. Any transfer of the Product Software is deemed to be a transfer with the sale of the Santak product and is subject to the provisions of this Agreement. 您可以将产品软件直接转让给第三方，但仅限于与安装该软件的山特产品的销售有关的情况，或与山特在文件中所述的产品软件有关的情况。在此类销售中，您不得保留产品软件的任何副本或其任何部分，并且您承诺确保您向其转让产品软件的第三方了解、同意并遵守本协议的所有规定。产品软件的任何转让都被视为与山特产品的销售一起进行的转让，并受本协议规定的约束。

8. RESTRICTED USES

限制使用

- 8.1 In relation to the Product Software, you warrant, represent and undertake that you shall: 就产品软件而言，您保证、陈述并承诺您应：
- (i) only use the Product Software with the license key, if the Product Software is subject to the use of a license key; 如果产品软件需要使用许可证密钥，则只能使用带有许可证密钥的产品软件；
 - (ii) not use the Product Software with any other third party hardware and/or software; 不将产品软件与任何其他第三方硬件和/或软件一起使用；
 - (iii) not license, sell, rent, lease, transfer, assign, distribute, host, or otherwise commercially exploit the Product Software, whether in whole or in part, or any content displayed on the Product Software;

不许可、出售、出租、租赁、转移、转让、分发、托管或以其他方式利用产品软件（无论是全部还是部分）或产品软件上显示的任何内容；

- (iv) not copy (except as expressly permitted by this Agreement), enhance, decompile, modify, make derivative works of, disassemble, reverse compile or reverse engineer, attempt to derive the source of code of any part of the Product Software;
不复制（除非本协议明确允许）、增强、反向编译、修改、制作衍生作品、反向汇编、反向编译或反向工程，试图获取产品软件任何部分的源代码；
- (v) not copy (except as expressly permitted by this Agreement), reproduce, distribute, republish, download, display, post or transmit the whole or any part of the Product Software in any form or by any means, except as expressly permitted in this Agreement;
不以任何形式或手段复制（除非本协议明确允许）、再现、分发、再版、下载、展示、张贴或传送产品软件的全部或部分，除非本协议明确允许；
- (vi) not use any part of the Product Software to establish any independent data files, databases, compendiums or any other reference materials except to the extent such foregoing restriction is prohibited by applicable laws or applicable open source license to, and only to, any open source software component that is incorporated into the Product Software (if any). Any attempt to do so is a violation of the rights of Santak;
不使用产品软件的任何部分来建立任何独立的数据文件、数据库、汇编或任何其他参考材料，除非适用法律或适用的开源许可证禁止上述限制，且仅适用于纳入产品软件的任何开源软件组件（如有）。任何试图这样做的行为都是对山特权利的侵犯；
- (vii) not access or view Product Software in order to build a similar or competitive product or service to the Product Software; not access or view Product Software, to build a similar or competitive product or service to the Product Software;
不访问或查看产品软件，以建立与产品软件类似或竞争的产品或服务；
- (viii) not provide false data including false names, addresses, contact details and fraudulent credit card/debit card details;
不提供虚假数据，包括虚假的姓名、地址、联系方式和欺诈性的信用卡/借记卡信息；
- (ix) not enter into fraudulent or deceptive interactions or transactions with Santak (which shall include entering into interactions or transactions purportedly on behalf of a third party where you have no authority to bind that third party or you are pretending to be a third party);
不与山特进行欺诈性或欺骗性的互动或交易（这应包括在您无权约束第三方或您假装是第三方的情况下，声称代表该第三方进行互动或交易）；
- (x) not use the Product Software in any way that is unlawful, fraudulent or deceptive, or has any unlawful, fraudulent or deceptive purpose or effect;
不以任何非法的、欺诈性的或欺骗性的方式使用产品软件，或具有任何非法的、欺诈性的或欺骗性的目的或效果；
- (xi) not use the Product Software except in conjunction with the operation of Santak products to which the Product Software pertains or other products described by Santak in the Documentation;
不使用该产品软件，除非与该产品软件相关的山特产品或山特在文件中描述的其他产品的操作相结合；
- (xii) not sell any products or services purchased through Santak, without Santak's express permission;
未经山特的明确许可，不得出售通过山特购买的任何产品或服务；
- (xiii) not intercept communications transmitted by way of a telecommunications system and/or information society service;
不拦截通过电信系统和/或信息社会服务方式传输的通信；
- (xiv) not to distribute, or otherwise provide to any third party any registration code algorithms, registration codes, or encryption keys, where applicable, used by or in connection with the Product Software without the prior written consent of Santak;
未经山特事先书面同意，不向任何第三方分发或以其他方式提供产品软件所使用的的或与之有关的任何注册码算法、注册码或加密密钥（如适用）；
- (xv) not attempt to create any registration codes or passwords, where applicable, to allow unauthorized activation of the Product Software, nor shall you assist others in doing so;

不试图创建任何注册码或密码（如适用）以允许未经授权激活产品软件，也不得协助他人这样做；

- (xvi) not use any registration code algorithms, registration codes or encryption keys, where applicable, that have not been purchased from Santak or an authorized representative of Santak;
不使用未从山特或山特授权代表处购买的任何注册码算法、注册码或加密密钥（如适用）；
- (xvii) not execute any form of network monitoring which will intercept data not intended for you;
不执行任何形式的网络监控，从而截获并非为您准备的数据；
- (xviii) not install the Product Software on multiple devices or in multiple locations without purchasing a separate license from Santak or a third party authorized by Santak;
在未向山特或山特授权的第三方购买单独许可的情况下，不得在多个设备或多个地点安装产品软件；
- (xix) use of the Product Software must at all times comply with all applicable laws, rules and regulations and be strictly in accordance with this Agreement;
在任何时候使用产品软件都必须遵守所有适用的法律、法规和规章，并严格遵守本协议的规定；
- (xx) not use the Product Software to transmit, or procure the sending of, any unsolicited or unauthorized advertising, promotional material, chain letters, mass mailings or any other form of similar solicitation (spam) or of any material that is illegal, offensive, abusive, indecent, defamatory, obscene, menacing or in breach of proprietary rights, confidence, privacy or any other right, or is injurious to third parties.
不得使用产品软件传输或促使发送任何未经请求或授权的广告、促销材料、连锁信、群发邮件或任何其他形式的类似招揽（垃圾邮件）或任何非法、攻击性、辱骂、不雅、诽谤、淫秽、威胁或违反所有权、信任、隐私或任何其他权利、或损害第三方的材料；
- (xxi) not attempt to gain unauthorized access to the Product Software, its facilities and/or services or any accounts, databases, computer systems, servers and networks connected to the Product Software and the server on which our site is stored. You shall not attack the Product Software via a denial of service attack. You will not misuse the Product Software by knowingly or recklessly introducing viruses, Trojans, worms, logic bombs, harmful data or other materials which is malicious or harmful;
不得试图未经授权访问产品软件、其设施和/或服务或任何与产品软件和存储我们网站的服务器相连的账户、数据库、计算机系统、服务器和网络。您不得通过拒绝服务攻击的方式攻击产品软件。您不得故意或过失地引入病毒、木马、蠕虫、逻辑炸弹、有害数据或其他恶意或有害的材料滥用产品软件。
- (xxii) not use the Product Software to harvest or otherwise collect by any means any program material or any information whatsoever (including without limitation email addresses or other personal details of other users);
不使用产品软件收集或以任何方式收集任何程序材料或任何信息（包括但不限于其他用户的电子邮件地址或其他个人详细资料）；
- (xxiii) provide Santak with accurate and complete information and acknowledge that Santak's ability to deliver the Product Software is dependent upon your cooperation, as well as the accuracy and completeness of any information you provide to Santak. Santak shall not be liable for any costs, expenses or liabilities resulting from your failure to cooperate or to provide such information;
向山特提供准确和完整的信息，并认可山特提供产品软件的能力取决于您的合作，以及您向山特提供的任何信息的准确性和完整性。山特不对因您未能合作或未能提供此类信息而导致的任何费用、开支或责任承担责任；
- (xxiv) not access the Product Software through the use of any mechanism other than through the use of an authorized connection;
不通过使用授权连接以外的任何机制访问产品软件；
- (xxv) not use any automated technology such as a robot, spider or scraper, to access, scrape or data mine the Product Software;
不使用任何自动技术，如机器人、爬虫或抓取，来对产品软件进行访问、抓取或数据挖掘；
- (xxvi) not modify the paper or digital copies of any Materials you print or download in any way, and you must not use any illustrations, photographs, video or audio sequences, or any graphics separately from any accompanying text;
不得以任何方式修改您打印或下载的任何材料的纸质或数字副本，您不得将任何插图、照片、视频或音频序列或任何图形

与任何附带的文本分开使用；

- (xxvii) not, without Santak's prior express written permission, "mirror", screen-scrape or frame by any other similar method, any Materials contained on this Product Software on any other server;
未经山特事先明确的书面许可，不得在任何其他服务器上对本产品软件所包含的任何材料以任何其他类似方法进行“镜像”、屏幕抓取或嵌入框架；
- (xxviii) not use any part of the Materials for commercial purposes without obtaining permission from our licensors or us. If you are in breach of these terms of use, your right to use the Product Software will cease immediately and you must, at our option, return or destroy any copies of the Materials you have made;
在未获得我们的许可人或我们的许可的情况下，不得将材料的任何部分用于商业目的。如果您违反了这些使用条款，您使用本产品软件的权利将立即停止，并且您必须根据我们的指令，归还或销毁您制作的材料的任何副本；
- (xxix) use reasonable endeavours to prevent any unauthorized access to, or use of, the Product Software and, in the event of any such unauthorized access or use, immediately without delay notify Santak in writing by email or by phone to the relevant contact information provided in the "contact us" section below.
使用合理的努力来防止对产品软件的任何未经授权的访问或使用，并在发生任何此类未经授权的访问或使用，立即以下“联系我们”部分提供的相关联系信息通过电子邮件或电话以书面形式通知山特。
- 8.2 By breaching Clause 8.1 of this Agreement, you could potentially commit a criminal offence. We will report any such breach to the relevant law enforcement authorities, and we will co-operate with those authorities by disclosing your identity to them. In the event of such a breach, your right to use the Product Software will cease immediately.
违反本协议第8.1条，您可能涉及刑事犯罪。我们将向相关执法部门报告任何此类违反行为，我们将与这些部门合作，向他们披露您的身份。如果发生这样的违反行为，您产品软件的权利将立即停止。
- 8.3 We will not be liable for any loss or damage caused by a distributed denial of service attack, viruses or other technologically harmful material that may infect your computer equipment, computer programs, data or other proprietary material due to your use of the Product Software or to your downloading of any material posted on it, or any website linked to it.
对于因您使用产品软件或下载其上发布的任何材料或与之链接的任何网站而导致的分布式拒绝服务攻击、病毒或其他可能感染您的计算机设备、计算机程序、数据或其他专有材料的损失或损害，我们将不承担任何责任。

9. THIRD PARTY SOFTWARE

第三方软件

- 9.1 The Product Software may contain components (including, notwithstanding Clause 10 of this Agreement, open source software components) that are owned by third parties ("Third Party Licensors") and are provided with, incorporated into, linked to, or embedded in, the Product Software pursuant to license arrangements between Santak and any such third parties. Third Party Licensor components in the Product Software are not licensed or warranted under the terms of this Agreement, but are instead subject to any license arrangements between Santak and any such third parties.
产品软件可能包含由第三方（“第三方许可人”）拥有的组件（包括，尽管有本协议第10条的规定，开源软件组件），并根据山特与任何此类第三方之间的许可安排与产品软件一起提供、纳入、链接或嵌入。产品软件中的第三方许可人组件并不根据本协议的条款进行许可或保证，而是根据山特与任何此类第三方之间的许可安排。
- 9.2 You agree not to modify, delete or obfuscate any copyright or other Intellectual Property Rights notices of Third Party Licensors contained in the Product Software.
您同意不修改、删除或混淆产品软件中包含的第三方许可人的任何版权或其他知识产权声明。
- 9.3 To the extent there are any conflicts between the terms of this Agreement and any license arrangement between Santak and any such third party license corresponding to Third Party Licensor components or additional obligations by such Third Party Licensors that are not set forth in this Agreement, the terms of the license arrangement between Santak and any such Third Party Licensor or the corresponding open source license will prevail.
如果本协议的条款与山特和第三方许可人对应的任何此类第三方许可安排，或第三方许可人未在本协议中规定的额外义务之间存在冲突，则以山特与任何此类第三方许可人之间的许可安排或相应的开源许可证的条款为准。
- 9.4 This Product Software contains the known third party software (including third party open source software components) as set out in Appendix 1A.

本产品软件包含附录1A中所列的已知第三方软件（包括第三方开源软件组件）。

10. OPEN SOURCE SOFTWARE

开源软件

- 10.1 The Product Software may contain certain components owned by Santak that are provided with, incorporated into, linked to, or embedded in the Product Software that are subject to open source licenses ("Santak Open Source Components"). To the extent there are any conflicts between the terms of this Agreement and any open license corresponding to Santak Open Source Components or additional obligations by any such open source license that are not set forth in this Agreement, the terms of the open source license shall prevail.
产品软件可能包含某些由山特拥有的组件，这些组件与产品软件一起提供、并入、链接或嵌入到产品软件中，并受到开源许可证的约束（"山特开源组件"）。如果本协议的条款与山特开源组件对应的任何开放许可之间存在任何冲突，或任何此类开源许可证未在本协议中规定的额外义务，应以开源许可证的条款为准。
- 10.2 This Product Software contains the known Santak Open Source Components as set out in Appendix 1B.
本产品软件包含附录1B中所列的已知山特开源组件。

11. FEES

费用

- 11.1 Where applicable, Santak may charge you fees for access to the Product Software, as provided in Appendix 2. You agree to pay all fees and charges, within the agreed upon billing period, including taxes, incurred through your account at the rates in effect for the billing period in which such fees and charges are incurred, including but not limited to, charges for any products or services offered for sale through the Product Software by Santak (such fees, charges and taxes shall collectively be referred to as "Fees"). Santak reserves the right to change the amount of, or basis for determining, any Fees, and to institute new Fees, effective upon prior notice to you.
在适用的情况下，山特可能会根据附录2的规定，向您收取使用产品软件的费用。您同意在约定的帐单期内按发生该等费用的帐单期的有效费率支付通过您的帐户发生的所有费用，包括但不限于山特通过产品软件提供销售的任何产品或服务费用（该等费用、收费和税收应统称为“费用”）。山特保留改变任何费用的数额或确定依据的权利，并有权制定新的费用，该权利在事先通知您后生效。

12. SUPPORT SERVICES

支持服务

- 12.1 Santak or its suppliers and distributors may provide you with support services related to the Product Software (the "Support Services"). Use of Support Services is governed by the terms and conditions for the applicable service offering (if any), the policies and programmes described in the Documentation, and/or other Santak-provided Materials.
山特或其供应商和分销商可向您提供与产品软件有关的支持服务（“支持服务”）。支持服务的使用受适用的服务提供的条款和条件（如有）、文件中描述的政策和方案以及/或山特提供的其他材料的约束。
- 12.2 Any additional supplemental Materials provided to you as part of the Support Services shall be considered part of the Product Software, as applicable, and subject to the provisions of this Agreement.
作为支持服务的一部分向您提供的任何额外补充材料应被视为产品软件的一部分（如适用），并受本协议的规定约束。

13. DISCLAIMER OF WARRANTY

免责声明

- 13.1 To the extent permitted by applicable law, you expressly acknowledge and agree that use of the product software is at your sole risk and that the entire risk as to satisfactory quality, performance, accuracy and effort of the product software is with you.
在适用法律允许的范围内，您明确承认并同意，使用本产品软件的风险由您自行承担，并且，关于本产品软件的质量、性能、准确性和努力的全部风险由您承担。

- 13.2 To the fullest extent permitted by applicable law, the Product Software, the Material and any information and any services performed or provided by or in connection with the Product Software are provided on an “as is” and “as available” basis, with all bugs and faults and without warranty of any kind. Santak, its affiliates, subsidiaries, and authorized representatives hereby disclaim all warranties and conditions of any kind with respect to the product software and any services, either express, implied, statutory, or otherwise, including, but without limitation, any implied warranties and/or conditions of merchantability, of satisfactory quality, of fitness for a particular purpose, security, completeness, timeliness, accuracy, quiet enjoyment, title, freedom from computer viruses, and of non-infringement of third party rights. Neither Santak, nor any of its affiliates or subsidiaries, warrant that the functions or services contained in, accessed from, performed by, displayed on, linked to/from, or provided by, the product software will meet your requirements, that the operation of the product software or services will be uninterrupted, error-free, timely, secure, or that defects or errors in the product software or services will be corrected, or that the product software will be compatible with any system, or that the product software will be free from worms, viruses, malware, Trojan horses, or other harmful or disabling components. 在适用法律允许的最大范围内，产品软件、材料和任何信息以及由产品软件执行或提供的或与之相关的任何服务都是在“原样”和“现有”的基础上提供的，包含所有的故障，没有任何形式的保证。山特、其附属机构、子公司和授权代表在此声明，对产品软件和服务不作任何明示、默示、法定或其他形式的保证和条件，包括但不限于对适销性、令人满意的质量、对特定目的的适用性、安全性、完整性、及时性、准确性、平静受益权、所有权、无计算机病毒和不侵犯第三方权利的任何默示保证和/或条件。山特或其任何附属机构或子公司均不保证产品软件所包含的、从产品软件访问的、由产品软件执行的、在产品软件上显示的、链接到产品软件的或由产品软件提供的功能或服务将满足您的要求，不保证产品软件或服务的运行将是不间断的、无错误的、及时的、安全的，或产品软件或服务中的缺陷或错误将得到纠正，或产品软件将与任何系统兼容，或产品软件将不含蠕虫、病毒、恶意软件、特洛伊木马或其他有害或禁用成分。
- 13.3 No oral or written information or advice given by Santak, its affiliates, subsidiaries, or any of their respective authorized representatives shall create a warranty. You assume the entire cost of any and all necessary repairs in the event you experience any loss or damage arising from the use of the product software or any related goods or services. If you are dissatisfied with the product software and/or any related goods or services, your sole and exclusive remedy is to discontinue using the product software. 山特、其关联公司、子公司或其各自的任何授权代表所提供的任何口头或书面信息或建议均不构成保证。如果您因使用本产品软件或任何相关货物或服务而遭受任何损失或损害，您应承担所有必要的维修费用。如果您对产品软件和/或任何相关商品或服务不满意，您唯一的补救措施是停止使用该产品软件。

14. LIMITATION OF LIABILITY

责任限制

- 14.1 Nothing in this agreement shall exclude or limit Santak’s liability for death or personal injury resulting from its negligence or of its officers, representatives their servants, agents, affiliates, employees or any other liability which may not be limited or excluded under applicable law. In no event shall Santak nor any of its officers or other representatives be liable for any loss or damages arising out of or in connection with your use, inability to use or reliance on any facilities, services, products and/or content offered through or from the product software, including, but not limited to, direct loss, loss of data, work stoppage, service interruption, computer failure, system failure, device damage or malfunction, loss of income, profit or opportunity, loss of or damage to property and claims of third parties or for any indirect or consequential loss whatsoever, even if Santak has been advised of the possibility of such loss or damages, or such loss or damages were reasonably foreseeable. 本协议中的任何内容均不排除或限制山特因其疏忽或其工作人员、代表、雇员、代理人、附属机构、雇员的疏忽而导致的死亡或人身伤害的责任或任何其他根据适用法律不得限制或排除的责任。在任何情况下，山特或其任何管理人员或其他代表都不对因您使用、无法使用或依赖通过产品软件提供的或从产品软件提供的任何设施、服务、产品和/或内容而引起的或与之有关的任何损失或损害负责，包括但不限于直接损失、数据损失、停工、服务中断、计算机故障、系统故障、设备损坏或故障、收入、利润或机会的损失、财产损失或损坏以及第三方的索赔，或任何间接或后果性的损失，即使山特已被告知此类损失或损害的可能性，或此类损失或损害是可合理预见的。
- 14.2 To the fullest extent permitted by law, Santak, its affiliates, suppliers, licensors, and any other party involved in creating, producing or delivering the product software makes no warranties, either express or implied, about the product software. The product software is provided “as is” and “as available”. 在法律允许的最大范围内，山特、其附属机构、供应商、许可方以及参与创建、生产或交付产品软件的任何其他方对产品软件不作任何明示或暗示的保证。本产品软件是在“原样”和“现有”的基础上提供的。

- 14.3 Except for your indemnification obligations pursuant to Clause 15 of this agreement, in no event will the aggregate liability (whether arising out of liability under breach of contract, tort (including but not limited to negligence), misrepresentation, breach of statutory duty, breach of warranty or claims by third parties arising from any breach of this agreement) of Santak or its employees or agents to you or to any third party for damages, direct or otherwise, arising out of or in connection with this agreement exceed the lower of \$100 (one hundred United States dollars) or the cost of the product software, regardless of the cause or form of action, and whether such claims are grounded in contract, tort, strict liability or any other legal theory, notwithstanding any failure of essential purpose of any limited remedy.
除您根据本协议第15条承担的赔偿义务外，在任何情况下，山特或其雇员或代理人对您或任何第三方的损害赔偿的总责任（无论是否因违反合同、侵权行为（包括但不限于疏忽）、不实陈述、违反法定义务、违反保证或因违反本协议而引起的第三方索赔而产生）均不超过100美元或产品软件成本（以较低者为准）。无论该行为的原因或形式如何，也无论这种索赔是基于合同、侵权行为、严格责任或任何其他法律理论，即使任何有限补救措施的基本目的未能实现。
- 14.4 Nothing in this agreement shall exclude or limit your liability under Clause 11 for any failure to pay any fees due hereunder or for any breach, misuse or infringement of Santak's intellectual property rights under Clause 21.
本协议的任何内容均不应排除或限制您根据第11条对未能支付本协议项下的任何费用或根据第21条对违反、滥用或侵犯山特的知识产权所应承担的责任。
- 14.5 If you use the Product Software for commercial, business or resale purpose we will have no liability to you for any loss of profit, loss of business, business interruption, or loss of business opportunity.
如果您将产品软件用于商业、业务或转售目的，我们将不对您的任何利润损失、业务损失、业务中断或商业机会的损失负责。
- 14.6 Each provision of this Clause 14 excluding or limiting liability shall be construed separately, applying and surviving even if for any reason one or the other of these provisions is held inapplicable or unenforceable and shall remain in force notwithstanding the termination of this agreement, howsoever arising.
本条中排除或限制责任的每项规定应单独解释，即使这些规定中的一项或多项被定义为不适用或不能执行，其余部分也应继续有效；即使本协议因任何原因终止，本条款继续有效。

15. INDEMNIFICATION

赔偿

- 15.1 You agree to indemnify, defend, and hold harmless Santak, including its officers, directors, employees, affiliates, subsidiaries, agents, licensors, authorized representatives, attorneys, business partners, and respective successors and assigns (the "Indemnified Parties") from and against any and all claims, demands, actions, liabilities, judgments, awards, losses, damages, costs and expenses (including reasonable legal fees, costs of defense, and direct, indirect, punitive, special, individual, consequential, or exemplary damages), Santak or any of the Indemnified Parties suffer in relation to, arising from, or from the purpose of avoiding, any claim or demand from a third party that relates to your: (a) breach or violation of this Agreement; (b) infringement, misappropriation or any violation of the rights of any other party from use of the Product Software in violation of this Agreement; (c) violation or non-compliance with any applicable law, rule, guidelines, acts, decrees, orders or regulations; (d) use, alteration or export of the Product Software (or any component thereof) in violation of this Agreement; and (e) the use of the Product Software by you or any person using your account.
您同意就山特或任何受偿方因与您有关的、由您引起的或为避免第三方提出的与您有关的任何索赔或要求而遭受的任何及所有索赔、要求、诉讼、责任、判决、裁决、损失、损害、费用和开支（包括合理的法律费用、辩护费用以及直接的、间接的、惩罚性的、特殊的、个别的、后果性的或惩戒性的损害）向山特，包括其管理人员、董事、雇员、关联公司、子公司、代理人、许可人、授权代表、律师、商业伙伴以及各自的继承人和受让人（“受偿方”）提供赔偿、辩护并使其免受损害，包括：(a)违反或违背本协议；(b)违反本协议使用产品软件侵犯、盗用或任何其他方的权利；(c)违反或不遵守任何适用的法律、规则、准则、法案、法令、命令或条例；(d)违反本协议使用、改变或出口产品软件（或其任何组件）；以及(e)您或任何使用您账户的人使用产品软件。
- 15.2 Santak and its affiliates reserve the right to assume the exclusive defense and control of any claims or actions subject to indemnification by you and all negotiations for its settlement or compromise, and you agree to fully cooperate with Santak and its affiliates upon request by Santak.
山特及其关联公司保留对任何须由您赔偿的索赔或诉讼的独家辩护和控制权，以及为解决或妥协而进行的所有谈判，并且您同意在山特的要求下与山特及其关联公司充分合作。

16. AMENDMENTS TO THIS AGREEMENT

对本协议的修订

- 16.1 Santak reserves the right to amend, modify, update or substitute any of the provisions of this Agreement at any time. Any such amendment, modification, update or substitution shall be notified to you published on our website at [<https://www.santak.com.cn>] (the “Santak Website”), as appropriate. You have the right to withdraw from this Agreement if you do not accept any amendments, modifications, updates or substitution of any of the provisions of this Agreement and in such an event you must cease all access and use of the Product Software immediately. By continuing to use the Product Software after Santak posts or otherwise notifies you of any changes, you accept and agree to the terms and conditions, as modified.

山特保留在任何时候修正、修改、更新或替代本协议中任何条款的权利。任何此类修订、修改、更新或替代应根据情况在我们的网站[<https://www.santak.com.cn>] (“山特网站”) 上公布。如果您不接受本协议的任何修订、修改、更新或替换, 您有权退出本协议, 在这种情况下, 您必须立即停止对产品软件的所有访问和使用。在山特发布或以其他方式通知您任何变更后继续使用本产品软件, 即表示您接受并同意经修改的条款和条件。

17. FOR AUTHORIZED PARTIES IN CALIFORNIA

关于加利福尼亚州的授权方

- 17.1 In compliance with California Civil Code § 1789.3, if you reside in California you have the right to contact Santak with any complaints or to seek additional information. You may email Santak at dataprotection@eaton.com. 根据《加利福尼亚州民法典》第1789.3条的规定, 如果您居住在加利福尼亚州, 您有权就任何投诉或寻求其他信息与山特联系。您可以向山特发送电子邮件: dataprotection@eaton.com.
- 17.2 If you reside in California and have any questions or complaints about the use of the Santak provided Product Software you may also contact: The Complaint Assistance Unit of the Division of Consumer Services of the California Department of Consumer Affairs through writing at 400 R Street, Suite 1080, Sacramento, CA 95814, or by telephone at (916) 445-1254 or (800) 952-5210. Hearing impaired persons may call (916) 928-1227 or (800) 326-2297 via TTY device. For further details, please visit https://www.dca.ca.gov/about_us/contactus.shtml. 如果您居住在加利福尼亚州, 并对山特提供的产品软件的使用有任何疑问或投诉, 您也可以联系加利福尼亚州消费者事务部消费者服务司的投诉援助部门, 其通信地址为400 R Street, Suite 1080, Sacramento, CA 95814, 或通过电话(916) 445-1254或(800) 952-5210。听力障碍者可通过TTY设备拨打(916) 928-1227或(800) 326-2297。更多详情, 请访问https://www.dca.ca.gov/about_us/contactus.shtml。
- 17.3 You acknowledge and agree that this Clause 17 shall only apply to you if you are resident in California. 您承认并同意, 本第17条只适用于您是加利福尼亚州居民的情况。

18. ENFORCEMENT RIGHTS

执行权

- 18.1 Santak are not obligated to monitor the access or use of the Product Software, but Santak reserves the right to do so for the purpose of operating the Product Software, to ensure compliance with these terms, and to comply with applicable law or other legal requirements. Santak may consult with and disclose unlawful conduct to law enforcement authorities; and pursuant to valid legal process, Santak may cooperate with law enforcement authorities as part of an investigation and/or to prosecute users who violate the law. In addition to any of its other rights or remedies, Santak reserves the right to suspend or terminate your access to all or a portion of your Product Software account, without any liability, if Santak reasonably suspects that your use of the Product Software is harming or threatening to harm Santak’s systems, or in Santak’s reasonable opinion you have violated your responsibilities. Santak reserves the right to investigate any violation of these terms and any conduct that affects the Product Software. 山特没有义务监控对产品软件的访问或使用, 但山特保留为操作产品软件、确保遵守本条款以及遵守适用法律或其他法律要求而进行监控的权利。山特可与执法机关协商并向其披露非法行为; 在符合有效法律程序的前提下, 山特可与执法机关合作, 作为调查的一部分和/或起诉违反法律的用户。除任何其他权利或补救措施外, 如果山特有理由怀疑您对产品软件的使用损害或威胁到山特的系统, 或山特有理由认为您违反了您的责任, 山特有权中止或终止您对产品软件账户的全部或部分访问, 而不承担任何责任。山特保留对任何违反本条款的行为和任何影响产品软件的行为进行调查的权利。

19. DATA PROTECTION

数据保护

Not Applicable

不适用

20. CONFIDENTIAL INFORMATION

保密信息

- 20.1 All information provided via the Product Software is Santak's confidential information. You agree to protect Santak's confidential information, using the same degree of care used to protect your own confidential or proprietary information, but in any case, using no less than a reasonable degree of care.
通过产品软件提供的所有信息均是山特的保密信息。您同意使用与保护您自己的保密或专有信息相同的谨慎程度（且在任何情况下，使用不低于合理程度的谨慎）保护山特的保密信息。
- 20.2 You agree to only use Santak's confidential information for the purposes of obtaining the benefit set out in this Agreement and for no other purpose. You agree not to use or disclose Santak's confidential information without the prior written consent of Santak, except to share it with your employees who have a need to know the information and are bound by a duty of confidentiality covering the information that is at least as restrictive as the obligations in this Agreement. You agree not to otherwise disclose such information to any third party without the prior written consent of Santak. You shall be liable to Santak for any breach of the confidentiality obligations in this Clause 20 of this Agreement by your employees.
您同意只在为获得本协议规定的利益的目的下使用山特的保密信息，不用于其他任何目的。您同意在未经山特事先书面同意的情况下，不使用或披露山特的保密信息，除与您的雇员分享该信息，这些雇员有必要了解这些信息并受至少与本协议中的义务一样严格的保密义务的约束。您同意在未经山特事先书面同意的情况下，不向任何第三方披露这些信息。如您的雇员违反本协议第20条规定的保密义务，您应向山特负责。
- 20.3 Except for personally identifiable information/personal data, the use and disclosure of which is addressed in the Privacy Statement for the Product Software, any and all information and content provided by you to Santak is provided on a non-proprietary and non-confidential basis, regardless of whether the information or content is marked or otherwise identified as confidential or proprietary. You agree that Santak has a royalty-free, perpetual, irrevocable, worldwide, non-exclusive right and license to use, reproduce, modify, adapt, publish, translate, create derivative works from, distribute, perform, and display any provided information or content for the purpose of operating and/or marketing the services or any related services rendered by Santak. This license includes any right of publicity rights that may be present in the provided information or content.
除个人识别信息/个人资料（其使用和披露在产品软件的隐私声明中提及）外，您向山特提供的任何及所有信息和内容均在非专有和非保密的基础上提供，无论该信息或内容是否被标记或以其他方式确定为机密或专有。您同意山特拥有免版税的、永久的、不可撤销的、全球性的、非独家的权利和许可，以使用、复制、修改、改编、出版、翻译、创造衍生作品、分发、执行和展示任何所提供的信息或内容，用于经营和/或营销山特提供的服务或任何相关服务。该许可包括所提供的信息或内容中可能存在的任何宣传权。
- 20.4 The provisions of this Clause 20 shall survive the expiration or termination of this Agreement.
本条规定在本协议期满或终止后仍然有效。

21. INTELLECTUAL PROPERTY OWNERSHIP

知识产权归属

- 21.1 This Agreement does not transfer any Intellectual Property Rights from Santak to you. Except for the express licenses granted herein, all right, title and interest (including Intellectual Property Rights) in and to any intellectual property owned, created or independently developed by Santak, including, but not limited to, the Product Software and any derivative work, customisation, modification or enhancement thereof (including all Intellectual Property Rights in any of the foregoing), whether developed prior to, during, or after this Agreement, will remain solely with Santak and its licensors. Santak grants no implied licenses hereunder.
本协议并未将任何知识产权从山特转移给您。除本协议所授予的明确许可外，山特所拥有、创造或独立开发的任何知识产权，包括但不限于产品软件及其任何衍生作品、定制、修改或增强（包括上述任何内容的所有知识产权），无论是在本协

议之前、期间还是之后开发的，其所有权利、所有权和利益（包括知识产权）将完全属于山特及其许可方。山特在此不授予任何默示许可。

- 21.2 You may provide suggestions, comments or other feedback ("Feedback") relating to the Product Software. Your Feedback, even if designated as confidential, shall not, absent a separate written agreement, create any confidentiality obligation for Santak. Santak shall be free to use, disclose, reproduce, license or otherwise distribute and exploit such Feedback as it sees fit, entirely without obligation or restriction of any kind on account of intellectual property rights or otherwise.
您可以提供与产品软件有关的建议、意见或其他反馈（“反馈”）。您的反馈（即使被指定为机密）在没有单独的书面协议的情况下，也不应为山特创设任何保密义务。山特可按其认为合适的方式自由使用、披露、复制、许可或以其他方式分发和利用该等反馈，而无需承担任何义务或受到任何形式的知识产权或其他方面的限制。
- 21.3 You may print off one copy, and may download extracts, of any page(s) of the Materials solely for internal business purposes only. Any paper or digital copies of any Materials which you have printed off or downloaded in any way must not be modified, and you must not use any illustrations, photographs, video or audio sequences or any graphics separately from any accompanying text.
您可以打印一份材料的副本，也可以下载材料的任何页面的摘要，以仅用于内部业务目的。您以任何方式打印或下载的任何材料的任何纸质或数字副本不得修改，您不得将任何插图、照片、视频或音频序列或任何图形与任何附带的文本分开使用。
- 21.4 The content on the Product Software, including all information, text, graphics, images, hyperlinks, illustrations, designs, icons, photographs, documents, products, computer programs, services and written and other materials (collectively, the "Materials"), and such information is for general guidance purposes only.
产品软件上的内容，包括所有信息、文本、图形、图像、超链接、插图、设计、图标、照片、文件、产品、计算机程序、服务和书面及其他材料（统称为“材料”），而这些信息仅用于一般指导目的。
- 21.5 Unless otherwise noted, all Materials are copyrights, trademarks, trade dress and/or other intellectual properties owned by, controlled by or licensed to Santak or third parties (hereinafter, the "Third-Party Providers").
除非另有说明，所有材料的版权、商标、商业外观和/或其他知识产权均由山特或第三方（“第三方提供者”）拥有、控制或授权。
- 21.6 Except as stated herein, and to the extent permitted by law, none of the Materials may be copied, reproduced, distributed, republished, downloaded, displayed, posted or transmitted in any form or by any means, including, but not limited to, electronic, mechanical, photocopying, recording, or otherwise, without the prior express written permission of Santak or the Third-Party Provider.
除本条所述外，在法律允许的范围内，未经山特或第三方提供者事先明确的书面许可，不得以任何形式或通过任何手段，包括但不限于电子、机械、影印、录音或其他方式，对任何材料进行复制、再现、分发、再版、下载、展示、张贴或传送。
- 21.7 Any use of these Materials on any other website or networked computer environment for any purpose is prohibited. Any unauthorized use of any Materials contained on this Product Software may violate copyright, trademark, and other laws, including but not limited to laws of privacy and publicity, and may result in severe civil and criminal penalties.
禁止出于任何目的在任何其他网站或联网的计算机环境中使用这些材料。任何未经授权使用本产品软件所包含的任何材料都可能违反版权、商标和其他法律，包括但不限于隐私和宣传相关法律，并可能导致严重的民事和刑事处罚。

22. TERMINATION OR SUSPENSION

终止或中止

- 22.1 This Agreement and the license granted hereunder, shall come into force on the creation of your Product Software account and shall continue in full force and effect unless this Agreement is terminated in accordance with its terms.
本协议和根据本协议授予的许可，应在您的产品软件账户创建时生效并应继续完全有效，除非本协议根据其条款被终止。

22.2 Santak reserves the right, in its sole discretion and without notice to you, to suspend, terminate, modify or delete an account or access to the Product Software or parts thereof, if you are, or Santak reasonably suspects that you are, failing to comply with any of the provisions of this Agreement or for any actual or suspected illegal or improper use of the Product Software. If you use multiple accounts, if Santak does take action against you, you may have action taken against all your accounts.

如果您未能遵守本协议的任何规定或对产品软件的任何实际或可疑的非法或不正当使用，或山特有理由怀疑您未能遵守本协议的任何规定或对产品软件的任何实际或可疑的非法或不正当使用，山特有权自行决定中止、终止、修改或删除一个帐户或对产品软件的访问，无需通知您。如果您使用多个帐户，且山特确实对您采取了该行动，您的所有帐户均会受到该行动的影响。

22.3 For the avoidance of doubt, any wilful unauthorized use, copying, modification, reverse engineering, disclosure, distribution or sublicensing of the Intellectual Property Rights in the Product Software or any related methods, algorithms, techniques or processes by you, your employees, agents, representatives, officers or directors will be deemed a material breach of this Agreement that cannot be cured, and termination may be immediate.

为避免疑问，您、您的雇员、代理人、代表、官员或董事故意未经授权使用、复制、修改、反向工程、披露、分发或转授产品软件中的知识产权或任何相关的方法、算法、技术或流程，将被视为对本协议的重大违反，且无法补救，并可能立即终止本协议。

22.4 Upon termination for any reason:

一旦因任何原因终止：

- (i) **all rights and licenses** granted to you under this Agreement shall cease;
本协议授予您的所有权利和许可将停止；
- (ii) you must cease all activities authorized by this Agreement, including your use of the Product Software;
您必须停止本协议授权的所有活动，包括您对产品软件的使用；
- (iii) you must immediately delete, remove and cease access to the Product Software from all devices on which the Product Software has been installed and all copies of the Product Software then in your possession, custody or control. Santak may also require that you provide it with evidence of compliance with this provision;
您必须立即从所有安装了该产品软件的设备以及您当时拥有、保管或控制的该产品软件的所有副本中删除、移除并停止对该产品软件的访问。山特可能要求您提供遵守本款的证据；
- (iv) you must immediately return or destroy all confidential information of Santak in your possession, provided that you shall not be required to delete Santak's confidential information that is and remains stored solely on backup storage pursuant to your standard backup retention procedures if only persons of advanced information technology knowledge and ability would be able to locate and access such information (but such information shall nonetheless remain subject to confidentiality obligations contained herein);
您必须立即归还或销毁您所拥有的山特的所有保密信息，但如果只有具有先进信息技术知识和能力的人员才能找到并获取山特的保密信息，则不要求您删除根据您的标准备份保留程序仅存储在备份存储器上的山特的保密信息（但该信息仍应受本协议所载保密义务的约束）；
- (v) we may remotely access your devices and remove the Product Software from them and cease providing you with access to the Product Software.
我们可以远程访问您的设备，并从这些设备上删除产品软件，停止向您提供对产品软件的访问。

23. LINKS

链接

- 23.1 The Product Software may contain links to third party websites, services and/or display advertisements for third parties (together, "Third Party Links and Ads"). Such Third Party Links and Ads are not under Santak's control. Santak disclaims all liability and responsibility for any Third Party Links and Ads and you acknowledge and agree that Santak is not responsible or liable for: (a) the availability or accuracy of such Third Party Links and Ads; or (b) the contents, products or services on or available from such Third Party Links and Ads. Your use of Third Party Links and Ads is at your own risk and is subject to the terms and conditions of the applicable third party. Santak provides Third Party Links and Ads for your convenience and does not review, approve, monitor, endorse, warrant, or make any representations with respect to Third Party Links and Ads. You will need to make your own independent judgement about whether to use any such independent sites, including whether to buy any products or services offered by them.
- 产品软件可能包含与第三方网站、服务的链接和/或显示第三方的广告（合称“第三方链接和广告”）。这些第三方链接和广告不在山特的控制之下。山特对任何第三方链接和广告不承担任何责任和义务，您承认并同意山特对以下情况不负责任：(a)此类第三方链接和广告的可使用性或准确性；或(b)此类第三方链接和广告上或可获得的内容、产品或服务。您使用第三方链接和广告的风险由您自己承担，并受制于相关第三方的条款和条件。山特为您提供第三方链接和广告是为了与您方便，并不对第三方链接和广告进行审查、批准、监督、认可、保证或作出任何陈述。您需要自己独立判断是否使用任何此类独立网站，包括是否购买它们所提供的任何产品或服务。

24. REPRESENTATIONS, WARRANTIES, COVENANTS AND DISCLAIMERS

声明、保证、承诺和免责声明

- 24.1 You undertake, represent and warrant that:
您承诺、声明并保证：
- (i) you shall comply, at your own expense, with all applicable present or future laws, statutes, instruments, regulations, orders, directives, enactments, including any amendment, extension or replacement thereof which is in force from time to time and which in any way relates to this Agreement and/or the provision of the Product Software or results from your obligations under this Agreement. Without limiting the foregoing, you shall comply with all contracting and procurement regulations associated with the Product Software;
您应自费遵守所有适用的现行或未来的法律、法规、文书、条例、命令、指令、法令，包括不时生效的、以任何方式与本协议和/或产品软件的提供有关的或由您在本协议下的义务导致的任何修正、扩展或替代。在不限制上述规定的情况下，您应遵守与产品软件相关的所有合同和采购规定；
 - (ii) you have full power and authority to enter into this Agreement;
您具有签订本协议的完整权力和授权；
 - (iii) you shall conduct your business in a manner that reflects favourably at all times on the Product Software and the name and goodwill of Santak;
您在开展业务时，应在任何时候都能对产品软件 and 山特的名称和商誉产生有利影响；
 - (iv) you shall make no representations, warranties, or guarantees on behalf of Santak;
您不得代表山特作出任何声明、保证或担保；
 - (v) you shall refrain from amending or varying this Agreement.
您应避免修改或变更本协议。

- 24.2 Santak makes no representations or warranties of any kind regarding the Product Software, the Material, information or any other matter, either express or implied, including, but not limited to implied warranties of fitness for a particular purposes, merchantability, title, accuracy/freedom from error, non-infringement or otherwise. You are not authorized to make any warranty commitment on Santak's behalf, whether written or oral. You understand that the Product Software may include hyperlinks to other websites or content or resources. Santak has no control over any websites or resources which are provided by companies or persons other than Santak. You acknowledge and agree that Santak is not responsible whatsoever for any harm suffered by you on or in any way due to any third party websites or resources, even where they are accessed from or referred or linked to such sites by the Product Software. You acknowledge and agree that Santak is not responsible for the availability of any such external sites or resources, and does not endorse any advertising, products or other materials on or available from such websites or resources. You acknowledge and agree that Santak is not liable for any loss or damage which may be incurred as a result of the availability of those external sites or resources, or as a result of any reliance placed by you on the completeness, accuracy or existence of any advertising, products or other materials on, or available from, such web sites or resources.
- 山特对产品软件、材料、信息或任何其他事项不作任何明示或默示的陈述或保证，包括但不限于对特定用途的适用性、适销性、所有权、准确性/无错误、不侵权或其他方面的默示保证。您无权代表山特作出任何书面或口头的保证承诺。您理解，产品软件可能包括指向其他网站或内容或资源的超链接；山特对由山特以外的公司或个人提供的任何网站或资源没有控制权。您承认并同意，对于您在任何第三方网站或资源上或以任何方式遭受的任何损害，山特不承担任何责任，即使这些网站或资源是由产品软件访问的，或由产品软件引用或链接到这些网站。您承认并同意，山特不对任何此类外部网站或资源的可用性负责，也不对此类网站或资源上的或可获得的任何广告、产品或其他材料予以认可。您承认并同意，对于因这些外部网站或资源的可用性，或因您对这些网站或资源上的或可获得的任何广告、产品或其他材料的完整性、准确性或存在的依赖而可能产生的任何损失或损害，山特概不负责。

25. FORCE MAJEURE

不可抗力

- 25.1 Notwithstanding anything else contained in this Agreement, Santak shall not be liable for any delay in providing the Product Software or support for the Product Software if such delay arises from or is attributable to acts, events or omissions beyond its reasonable control, including (but not limited to) pandemics, epidemics or endemics, nuclear accident, acts of God, war or terrorist activity, riot, civil commotion, malicious damages (excluding malicious damage involving your employees or your sub-contractors), compliance with any law or governmental order or regulation, accident, industrial action by employees of any provider of electrical power, breakdown of plant or machinery, fire, flood or storm (a "Force Majeure Event") subject to Santak promptly notifying you in writing of the reasons for the delay and the expected duration of the delay.
- 尽管本协议中另有规定，如果在提供产品软件或对产品软件的支持方面的延误是由于或可归因于超出其合理控制范围的行为、事件或疏忽，山特不对该等延误负责，但山特应及时以书面形式通知贵方延误的原因和预计延误的时间。前述超出其合理控制范围的行为、事件或疏忽包括（但不限于）流行病、传染病或地方病、核事故、天灾、战争或恐怖活动、暴乱、内乱、恶意损害（不包括涉及贵方雇员或贵方分包商的恶意损害）、遵守任何法律或政府命令或条例、事故、任何电力供应商的雇员的工业行动、工厂或机器的故障、火灾、洪水或风暴（“不可抗力事件”）。
- 25.2 The performance of Santak shall be suspended during the period that the Force Majeure Event persists and Santak shall be granted an extension of time for performance equal to the period of the delay arising as a result of the Force Majeure Event.
- 在不可抗力事件持续存在期间，山特应暂停履行义务，且您应给予山特相当于因不可抗力事件而产生的延迟时间的履行期延长。
- 25.3 If a Force Majeure Event continues for more than sixty (60) calendar days, Santak may terminate this Agreement immediately by notice in writing and neither shall be liable to the other by reason of this termination.
- 如果不可抗力事件持续超过六十（60）个日历日，山特可书面通知立即终止本协议，双方均不因该终止而对对方负责。

26. MISCELLANEOUS

杂项条款

- 26.1 If a term is found unenforceable or invalid, that term will be enforced to the maximum extent permissible and the remaining provisions of the Agreement will remain in full force and effect and an enforceable term will be substituted reflecting our intent as closely as possible. You may not assign or transfer any of your rights under this Agreement, and any such attempt will be void. Santak may freely assign or transfer its rights to any of its affiliates or subsidiaries, or to any successor in interest of any business associated with the Product Software. Subject to the foregoing, this Agreement will bind and ensure to the benefit of the parties, their successors and permitted assigns. Santak's failure to enforce a term of this Agreement is not a waiver of its right to do so later. No failure or delay by Santak or its affiliates to exercise any right or enforce any obligation shall impair or be construed as a waiver or ongoing waiver of that or any other right or power. Waiving one breach will not be construed to waive any succeeding breach. All waivers must be in writing and signed by the party waiving rights.

如果某一条款被认定为不可执行或无效，该等条款将在可允许的最大范围内予以执行，本协议的其余条款将继续拥有完整的效力，并将以尽可能反映我方意图的可执行条款予以替代。您不得转让或转移您在本协议下的任何权利，任何此类尝试都是无效的。山特可以自由地将其权利转让给其任何关联公司或子公司，或与产品软件相关的任何业务的利益继承人。在遵守上述规定的前提下，本协议将对各方、其继承人和允许的受让人具有约束力并确保其利益。山特未能执行本协议的某一条款，并不表示其放弃以后这样做的权利。山特或其关联公司未能或延迟行使任何权利或执行任何义务，不得损害或被解释为对该权利或任何其他权利或权力的放弃或持续放弃。放弃一项违约行为不应解释为放弃任何后续的违约行为。所有放弃必须是书面的，并由放弃权利的一方签署。

27. REGULATORY MATTERS

监管事项

- 27.1 The Product Software, Documentation and Materials as well as parts of any of these (e.g. new versions, releases, updates, upgrades, patches, fixed or correction of the Product Software) are subject to export laws of various countries, including, without limitation, the laws of the United States, the EU and Ireland ("Export Laws"). You agree that you will not submit the Product Software, Documentation or other Materials or parts of any of these to any government agency for licensing consideration or other regulatory approval without the prior written consent of Santak, and that you will not export, re-export or import any Product Software, Documentation and/or Materials to countries, persons or entities prohibited by any applicable Export Law. You represent and warrant that you are not located within an embargoed nation and that you are not otherwise prohibited under the Export Laws from receiving access to or using the Product Software, Documentation or other Materials. In that context, you are responsible for complying with all applicable Export Laws. If Santak wants to deliver and/or grant access to the Product Software, Documentation, Materials, or parts of any of these directly to you, you will support Santak in obtaining any required authorization, approval or other consent from the competent authorities, by providing any necessary or useful declarations or other necessary or useful information, e.g. end user certificates, as may be requested by Santak. You acknowledge that the delivery of and/or granting of access to the Product Software, Documentation and Materials as well as parts of any of these may be subject to the prior obtaining of export or import authorisations or both from the competent authorities and that this process may (i) considerably delay or prevent the delivery of and/or granting of access to the Product Software, Documentation and Materials or part of any of these, (ii) impact Santak's ability to provide services and (iii) lead to Santak having to limit, suspend or terminate your access to any services.

产品软件、文件和材料以及其中的任何部分（例如，产品软件的新版本、发行、更新、升级、补丁、修复或修正）均受各国出口法约束，包括但不限于美国、欧盟和爱尔兰的法律（“出口法”）。您同意，未经山特事先书面同意，您不会将产品软件、文件或其他材料或其中的任何部分提交给任何政府机构进行许可考虑或其他监管审批，并且，您不会向任何适用的出口法禁止的国家、个人或实体出口、再出口或进口任何产品软件、文件和/或材料。您声明并保证，您不在禁运国家内，而且根据出口法，您没有被禁止接受或使用产品软件、文件或其他材料。在这种情况下，您有责任遵守所有适用的出口法。如果山特希望直接向您交付和/或授予对产品软件、文件、材料或其中任何部分的访问权，您将支持山特从主管当局获得任何必要的授权、批准或其他许可，提供山特可能要求的任何必要或有用的声明或其他必要或有用的信息，例如最终用户证书。您认可，产品软件、文件和材料以及其中任何部分的交付和/或授权使用可能需要事先从主管部门获得出口或进口授权或兼而有之，而这一过程可能：(i)显著延迟或阻止产品软件、文件和材料或其中任何部分的交付和/或授权使用；(ii)影响山特提供服务的能力和(iii)导致山特不得限制、中止或终止您使用任何服务。

- 27.2 Santak assumes no responsibility or liability:
山特不承担任何责任或义务：

- (i) For any delay caused in the delivery and/or granting of access to the Product Software, Documentation and Materials or parts of any of these due to export or import authorizations or both having to be obtained from the competent authorities; 由于需要从主管当局获得出口或进口授权或两者兼而有之，而导致交付和/或允许使用产品软件、文件和材料或其中任何部分的延误；
- (ii) If any required authorization, approval or other consent for the delivery of and/or granting of access to Product Software, Documentation and Materials or parts of these cannot be obtained from the competent authorities; and 如果无法从主管当局获得任何所需的授权、批准或其他许可，以交付和/或授予对产品软件、文件和材料或其中部分的访问权；以及
- (iii) If the delivery of and/or granting of access to the Product Software, Documentation and Materials or parts of any of these is prevented due to applicable Export Laws; and 如果根据适用的出口法，产品软件、文件和材料或其中任何部分的交付和/或授予访问权受到阻碍；以及
- (iv) If access to any services has to be limited, suspended or terminated due to applicable Export Laws. 如果根据适用的出口法，必须限制、中止或终止对任何服务的访问。

27.3 Santak may terminate this Agreement with thirty (30) days' prior written notice if Santak may not deliver or grant access to the Product Software, Documentation and Materials to you due to an embargo or other comparable trade sanction, which is expected to be in place for six (6) months or longer.
如果山特因禁运或其他类似的贸易制裁而不能向您提供或准许您访问产品软件、文件和材料，且该禁运或贸易制裁预计将持续六（6）个月或更长时间，山特可提前三十（30）天书面通知您终止本协议。

27.4 If the Product Software is licensed to agencies of the U.S. Government, the Product Software is a "commercial item" as that term is defined at 48 C.F.R. § 2.101, consisting of "commercial computer software" and "commercial computer software documentation", as such terms are used in 48 C.F.R. § 12.212, and is provided to the U.S. Government only as a commercial end item. Consistent with 48 C.F.R. § 12.212 and 48 C.F.R. § § 227.7202-1 through 227.7202-4, all U.S. Government End Users acquire the Product Software with only those rights set forth herein. Contractor/manufacturer is Eaton Corporation, 1000 Eaton Boulevard, Cleveland, Ohio 44122.
如果产品软件被授权给美国政府机构，则产品软件是一个“商业物项”（定义见 48 C.F.R. § 2.101），由“商业计算机软件”和“商业计算机软件文件”构成（该术语见 48 C.F.R. § 12.212），且仅作为一个商业终端物项提供给美国政府。根据 48 C.F.R. § 12.212 和 48 C.F.R. § § 227.7202-1 至 227.7202-4，所有美国政府最终用户在获得产品软件时只享有本协议规定的权利。承包商/制造商为伊顿公司，地址为 1000 Eaton Boulevard, Cleveland, Ohio 44122。

28. GOVERNING LAW AND JURISDICTION

准据法和管辖权

- 28.1 The validity, construction and enforceability of this Agreement shall be governed in all respects by the laws of CHINA.
本协议的效力、解释和执行都应受所有中国法律的管辖。
- 28.2 Any dispute arising out of or in connection with this Agreement shall be first settled by friendly consultation between the Parties. If the Parties cannot resolve such dispute within sixty (60) days after a notice of settlement is sent, it shall be referred to and finally submitted China International Economic and Trade Arbitration Committee(“CIETAC”) for arbitration(the arbitration place is in Shanghai) which shall be conducted in accordance with the CIETAC's arbitration rules in effect at the time of applying for arbitration. The arbitral award is final and binding upon both parties.
由本协议引起的或与本协议有关的任何争议，应首先由双方友好协商解决。如果双方在发出解决通知后六十（60）天内不能解决该争议，则应提交中国国际经济贸易仲裁委员会（“CIETAC”）进行仲裁（仲裁地点在上海），仲裁应按照申请仲裁时有效的CIETAC仲裁规则进行。仲裁裁决是终局的，对双方均具有约束力。

29. AGREEMENT

协议

- 29.1 This Agreement (and any associated order form or other agreements referenced herein) constitutes the entire and exclusive agreement between you and Santak with respect to the subject matter of this Agreement, and supersedes and replaces any other prior or contemporaneous agreements, or terms and conditions applicable to the subject matter of this Agreement. No provisions in your purchase orders, or in any other business forms employed by you, will supersede the terms and conditions of this Agreement.
- 本协议（以及任何相关的订单表格或本协议中提及的其他协议）构成您与山特之间关于本协议标的物的完整的和排他性的协议，并取代和替代任何其他先前或同期的协议或适用于本协议标的物的条款和条件。您的采购订单或您采用的任何其他商业形式中的任何规定都不会取代本协议的条款和条件。

30. LANGUAGE

语言

This Agreement is made in English and Chinese. If there is any inconsistency, misunderstanding, discrepancy or conflict between English and Chinese language, English language shall prevail.

本协议以英文和中文书写。如果英文和中文之间有任何不一致、误解、差异或冲突，以英文为准。

31. CONTACT US

联系我们

Any questions regarding this Agreement should be directed to Santak at:

关于本协议的任何问题，应向山特提出，地址是：

Attn: IP Law Group

收件人：知识产权法组

1000 Eaton Boulevard

1000 Eaton Boulevard

Mail Code 4N

邮件代码：4N

Cleveland, OH 44122

Cleveland, OH 44122

Attn: Global Data Protection and Privacy Office

收件人：全球数据保护和隐私办公室

1000 Eaton Boulevard

1000 Eaton Boulevard

Cleveland, OH 44122

Cleveland, OH 44122

Email: dataprotection@eaton.com

邮件：dataprotection@eaton.com

Customer Service Contact Information:

Phone: 800-830-3938/400-830-3938_

Email: 4008303938@santak.com ; 8008303938@santak.com

服务联系信息。

电话：800-830-3938/400-830-3938

电子邮件：4008303938@santak.com ; 8008303938@santak.com

APPENDIX 1A

附录1A

Third Party Software

第三方软件

Not Applicable

不适用

APPENDIX 1B

附录1B

Santak Open Source Components

山特开源组件

Not Applicable

不适用

APPENDIX 2

附录2

Fees

费用

Not Applicable

不适用



目 录

第1章 安全警示	1
1.1. 用户注意事项	3
1.2. 手册的使用	3
1.3. 环境	4
1.4. 获取帮助	4
第2章 简介	5
2.1. UPS标准功能	6
2.1.1. 安装特性	6
2.1.2. 控制面板	6
2.1.3. 干接点	6
2.1.4. 高级电池管理	6
2.1.5. 维修旁路	6
2.2. 选项和附件	6
2.2.1. 并机组件	6
2.2.2. 工业网关卡	6
2.2.3. 电池冷启动组件	7
2.2.4. 负载总线同步组 (LBS)	7
2.2.5. 绝缘检测仪	7
2.3. 电池系统	7
第3章 UPS安装计划及开箱	8
3.1. 制订安装计划	8
3.2. 现场准备	9
3.2.1. 环境和安装注意事项	9
3.3. UPS安装尺寸图	15
3.3.1. UPS系统电源配线准备	25
3.3.2. UPS系统接口接线准备	27
第4章 UPS 系统安装	28
4.1. 预备安装信息	28
4.2. UPS机柜的检查和开箱	28
4.3. 系统安装	31
4.3.1. 机械安装	31
4.3.2. 安装外部电源配线	31
4.3.3. 电源线连接步骤	32
4.3.4. 运输固定件拆除	35
4.3.5. 安装Mini-slot 卡 (选配)	37
4.3.6. 安装并机系统及并机信号电缆	37
4.4. 首次启动	39
4.5. 填写安装清单	39

第5章 通信	40
5.1. Mini-Slot型通讯卡	40
5.2. 干接点接口 (I/O) :	41
5.3. UPS信号线接口位置	42
第6章 UPS运行	43
6.1. 设计介绍	43
6.1.1. 基本原理	43
6.1.2. 旁路	43
6.1.3. 系统控制原理	44
6.1.4. UPS电源开关配置	45
6.1.5. 电池温度补偿	45
6.2. 运行模式	46
第7章 UPS面板说明	47
7.1. 面板介绍	47
7.1.1. 蜂鸣器	48
7.1.2. 状态指示灯	48
7.1.3. 触摸屏	48
7.1.4. 显示信息	48
第8章 UPS操作说明	57
8.1. 简介	57
8.1.1. 电源开关	57
8.2. 单机操作	64
8.2.1. 启动UPS至在线模式 (默认模式)	64
8.2.2. “在线”模式与“旁路”模式转换操作	66
8.3. 经济运行模式下开机步骤	66
8.4. 电池设置与管理操作步骤	66
8.5. 关机步骤	67
8.6. “在线”模式与“维修旁路”模式切换	67
8.7. 并机系统操作步骤	69
8.7.1. 在线模式下开机步骤	69
8.7.2. 在线模式与维修旁路供电模式切换	69
8.7.3. 单机脱离并机系统	69
8.7.4. 隔离状态单机加入并机	70
8.7.5. 关机步骤	70
第9章 UPS维护	71
9.1. UPS日常维护注意事项:	71
9.2. 月度维护	71
9.3. 季度维护	71
9.4. 年度维护	72
第10章 产品技术指标	73
10.1. 型号	73



10.2. 技术指标.....	74
第11章 保修.....	78
第12章 安装检查单.....	79
附录A 产品中有害物质的名称及含量.....	82

图目录

图2-1: Santak SIUUPS示意图	5
图3-1: Santak SIU10-40kVA UPS机柜预留空间示意图	13
图3-2: Santak SIU50-200kVA UPS机柜预留空间示意图	13
图3-3: 10kVA/20kVA UPS (6P、6P+5TH) 侧/正/后/底视图	15
图3-4: 10/20kVA UPS (12P) 侧/正/后/底视图	16
图3-5: 30kVA/40kVA UPS (6P) 侧/正/后/底视图	17
图3-6: 30kVA/40kVA UPS (6P+5TH、12P) 侧/正/后/底视图	18
图3-7: 50kVA UPS (6P、6P+5TH、12P) 和 60kVA-80kVA (6P、6P+5TH) 侧/正/后/底视图	19
图3-8: 60kVA ~ 80kVA UPS (12P) 侧/正/后/底视图	20
图3-9: 100kVA/120kVA UPS (6P、6P+5TH) 侧/正/后/底视图	21
图3-10: 100kVA/120kVA UPS (12P) 正/侧/顶/后/底视图	22
图3-11: 160kVA/200kVA UPS (6P、6P+5TH) 正/侧/顶/后/底视图	23
图3-12: 160kVA/200kVA UPS (12P) 正/侧/顶/后/底视图	24
图3-13: 接线端子最大宽度示意图	27
图4-1: 装载在货盘上的UPS机柜	30
图4-2: 10kVA~40kVA UPS功率电缆连接端子示意图	33
图4-3: 50kVA~80kVA UPS功率电缆连接端子示意图	33
图4-4: 100kVA/120kVA UPS功率电缆连接端子示意图	34
图4-5: 160kVA/200kVA UPS功率电缆连接示意图	34
图4-6: 变压器和电感运输固定件拆除示意图	35
图4-7: 变压器和电感运输固定件拆除示意图	36
图4-8: 系统并机电缆连接	38
图5-1: 工业网关卡	40
图5-2: 二代环境探头	40
图5-3: 10kVA ~ 40kVA UPS信号电缆安装示意图	42
图6-1: UPS变换器工作原理框图	43
图6-2: 10-80kVA UPS电源开关系统配置	44
图6-3: 100-200kVA UPS电源开关系统配置	44
图7-1: 监控显示面板	47
图7-2: 数据窗口	49
图7-3: 当前记录窗口	49
图7-4: 历史记录界面	50
图7-5: 常规设置界面	50
图7-6: 操作界面	51
图7-7: 关于界面	51
图8-1: 10kVA~20kVA UPS电源开关位置示意图	58
图8-2: 30kVA~40kVA UPS电源开关位置示意图	59
图8-3: 50kVA~80kVA UPS电源开关位置示意图	60
图8-4: 100kVA~120kVA UPS(6P、6P+5TH)电源开关位置示意图	61



图8-5: 100kVA~120kVA UPS(12P)电源开关位置示意图.....	62
图8-6: 160kVA~200kVA UPS电源开关位置示意图.....	63
图8-7: UPS电源旁路模式供电.....	64
图8-8: UPS电源整流器启动.....	65
图8-9: UPS电源在线模式运行.....	65
图8-10: UPS电源ECO模式运行.....	66
图8-11: UPS维修旁路模式供电界面.....	68

表目录

表1-1: 术语表	4
表3-1: UPS机柜重量	11
表3-2: UPS机柜安装空间	12
表3-3: UPS满负荷运行时的空调或通风要求	14
表3-4: 10-200 kVA 系列UPS的电流规格	26
表3-5: 10-200 kVA 系列 UPS 电缆推荐最小截面积和端子安装规格	26
表5-1: 干接点信号检测接口描述	41
表7-1: 蜂鸣器蜂鸣方式描述	48
表7-2: 指示灯亮灯描述	48
表7-3: 菜单按键功能描述	48
表7-4: 按键及其功能描述	51
表7-5: 提示窗信息和解释	52
表7-6: UPS告警信息列表	53
表10-1: UPS配置CTO	73
表10-2: 整流器电气特性 (10kVA ~ 40kVA)	74
表10-3: 整流器电气特性 (50kVA ~ 80kVA)	74
表10-4: 整流器电气特性 (100kVA ~ 200kVA)	75
表10-5: UPS旁路输入	75
表10-6: UPS输出	76
表10-7: UPS电池参数	76
表10-8: 环境条件	77



第1章 安全警示

重要安全使用说明 保存这些说明

本手册包含了在安装和维修 UPS 与电池的过程中应遵守的重要说明，请在操作前阅读这些说明并妥善保存此手册，以备将来查询。

该 UPS 由变流器、开关、储能装置组成，并含危险电压、电流。电气防护外壳作为危险电压、电流防护必须永久性接地。UPS 系统是一个复杂的电源系统，仅允许合格人员安装和服务。



危险

本 UPS 中存在致命电压。仅限经过授权的维修人员执行所有修理和维修作业。UPS 中不存在用户可维修的零件。



警告

- 使用本设备之前请仔细阅读本说明书上以及机器上的所有警告和操作说明。
- UPS 会连接电池，即使在未接交流市电的情况下，其输出端仍可能会有电压存在。
- 电池正负必须正确连接。
- 即使 UPS 关机后，客户接线端子也可能携带危险电压。至少应等待 5 分钟，让电容器放完电，并用万用表确认后再接近接线端子。
- 为了减少失火或电击的危险，可将 UPS 安装在一个温度和湿度可控的室内环境中，并确保室内无导电性杂质，环境温度不得超过 40°C。请勿在水附近或湿度过高的地方（最大相对湿度：95%，非冷凝）进行操作。本系统不适用于户外。
- 连接负载也可能造成大漏电流，在接通电源和产品操作之前必须先接地。当 UPS 带载运行时，禁止通过任何操作包括断开地线连接去确认 UPS 的运行状态。
- 不要断开旁路 N 线，N 线是 UPS 系统旁路工作回路；安装或维修前如需断开 N 线，为防止电气危害，请务必先同时断开所有相线，并确保所有电源断开（包括电池）。
- 在并机系统中，当 UPS 从交流电源断开时，输出端仍携带危险电压。
- 设备的安装应遵照以上要求并使用厂家指定附件。
- UPS 必须良好的接地，接地要求必须符合当地电气规范。
- UPS 输出 N 线来自输入旁路 N 线，因此需要确保外部分断开关不会导致 N 线缺失。
- UPS 提供干接点闭合信号配合外部主路、旁路自动脱扣分断装置（单独供电）一起使用，以防止危险电压通过主路、旁路的静态开关电路回馈到输入端。必须在 UPS 外部电源分断装置处贴上标签，以告示维护人员此电路与 UPS 系统相连。标签意为“反灌电压危险！操作此电路前请将 UPS 隔离，并测量确认所有端口（包括保护地）是否存在危险电压。”
- UPS 为精密电子设备，仅支持垂直运输、搬运及安装，严禁倾倒。

- UPS 的保养和维护操作中涉及到内部部件的操作，必须由厂家专业维护人员或接受过厂家培训的专业人员执行。
 - 电池可能引起电击或由于高短路电流而产生烧伤，应执行下列预防措施：1) 摘下手表、戒指或其它金属物体；2) 使用带绝缘手柄的工具；3) 不要在电池上放置工具或金属零件；4) 戴上橡胶外套并穿上胶靴。
 - 电能危险性。请勿试图改变任何电池配线或连接线，否则可能会导致伤害。
 - 禁止打开或拆解电池。释放的电解液可能有毒，会对皮肤和眼睛造成伤害。
 - 重要：电池可能由多个并联连接，安装前断开所有连接。
 - 该 UPS 仅适宜安装在混凝土或不易燃的表面上。
-



注意

- 安装或维修应由在 UPS，电池和必需的预防措施方面具有丰富知识的有资质的维修人员执行。任何未经授权的人员都应远离设备，在安装或更换电池前应仔细考虑所有的警告、注意和说明条目中的指示。当 UPS 在“电池”模式时，请勿断开电池。
 - 连接电源之前请查看安装说明书。
 - 开机前要确认 UPS 电池设置参数和实际连接的电池参数完全一致。
 - 确定电池正负极是否无意中接地，如果是，清除接地的电源。接触一个接地电池的任何部分可能导致触电。
 - 更换电池时，应使用与 UPS 中原装电池相同型号及相同规格参数的电池。
 - 在连接或断开接线端之前，断开充电电源。
 - 应对废旧电池进行适当的处理，参考当地的有关处理规范。
 - 切勿将电池投入火中，电池在火中可能会爆炸。
 - 保持 UPS 门关闭，以确保适当的冷却气流，并保护操作人员其免受设备内部危险电压的伤害。
 - 不要在靠近煤气或电热源处操作 UPS 系统。
 - 操作环境应保持在本手册规定的参数范围内。
 - 遵守所有附在设备内外的“危险”、“注意”和“说明”警示。
-



注意

当抬起或移动机柜时，为防止对底座中的布线通道和布线造成损坏，请遵循以下操作程序：

- 移动带包装的机柜时，仅限使用左侧或右侧叉车插槽抬起并移动。
- 确认叉车货叉处于水平位置插入到叉车插槽中。请勿将货叉向上倾斜。
- 叉车必须穿过整个栈板底座。

如果不遵循这些说明，会对布线通道和布线造成损坏。



1.1. 用户注意事项

仅允许用户操作：

- UPS 开机和关机，不包括调试开机；
- 控制面板的使用；

客户必须遵循预防措施，仅执行上述操作。未经允许的操作可能会造成危险和意外停电风险。



注意

- **客户不允许打开除 UPS 前门之外的任何门板和拆卸螺钉，防止电气危害。**
- **本产品用于 C2 类环境中，需要额外增加抑制电磁干扰措施。本产品适用于 C3 类环境，即所有商业和工业环境。**

1.2. 手册的使用

此手册介绍如何安装和使用 UPS。请务必仔细阅读并理解手册中描述的过程，这样才能顺利地进行安装和操作。此手册中的信息被分成了不同的部分和章节，请务必阅读手册中的系统选项以及附件安装指示。

以下是 UPS 或附件上出现的，警示重要信息的符号图例：

黑体字

黑体字—突出所讨论的重要概念、程序中的关键术语和菜单选项，在提示中代表您要键入或输入的指令或选项。



电击危险—表明存在电击危险，应该遵守相关注意事项。



注意：请参考操作指南—详细信息如重要操作、维护说明等，请参考操作手册。



用来使人注意重要特征或说明的信息。



此标志表明不应将UPS或UPS电池丢入垃圾桶。此产品含有密封的酸性电池，必须做适当的处理。更多信息请咨询当地废品回收利用或有害废物回收中心。



此标志表明不应将电气设备或电子设备丢进垃圾桶。请联系当地废品回收利用或有害废物回收中心，对废弃物进行适当的处理。

下表术语会在本手册中使用，请正确识别并知其含义。

表1-1：术语表

术语	说明
UPS	不间断电源，包含机柜和其内部元件。
UPS系统	整个电源保护系统-即UPS机柜、电池箱、选配件或安装的附件。
HMI	人机界面
Mini-Slot卡	Mini-Slot通讯卡
EPO按钮	紧急停机按钮

1.3. 环境

根据手册建议，应在干净、平稳的环境中安装 UPS，避开震动、灰尘、高湿、可燃性气体、可燃性液体或腐蚀性物质环境。更多关于环境的要求请参阅章节 3.2.1。



警告

在电池充电、浮充、深度放电和过充的过程中会向周围空气中散发氢气和氧气。如果氢气在空气中含量超过 4%，将会生成爆炸性气体混合物。必须保证 UPS 放置位置的空气流通率。

1.4. 获取帮助

可与当地办事处与经销商询问 UPS 与电池柜的任何问题。需提供设备型号和序列号。如需在以下某方面获取帮助，请致电客服人员。

- 安排初次开机
- 得到地区服务点及其电话号码
- 对手册中信息的任何疑问
- 手册中未涉及到的问题

请致电客服人员，24 小时服务热线 400-830-3938 / 800-830-3938。



第2章 简介

Santak SIU10-200 kVA 系列 UPS 是一款真正的在线双变换式、静态、三进单出不间断电源系统，能够提供持续的不间断交流电，使用户负载免受电源问题的困扰。

Santak SIU10-200 kVA 在线式电源保护系统可以防止意外断电引起的重要电子信息的丢失，将设备的宕机时间缩至最短，并可减小意外断电对生产装置的不良影响。

Santak SIU10-200 kVA UPS 能不间断地监视输入电流，消除市电中的浪涌、尖峰脉冲、电压跌落及其它异常情况。与供电系统结合使用，UPS 能够为电子设备提供可靠、纯净、稳定的电能。遇到停电、市电闪断等电力故障情况时，电池能够提供紧急供电来保证安全操作。



说明

开机调试必须由 Santak 客户服务工程师执行，否则第 11 章中的保修条款将失效。提供这项服务是 UPS 销售合同的一部分。请事先联系（通常要求提前三个工作日通知），以便预约理想的开机日期。

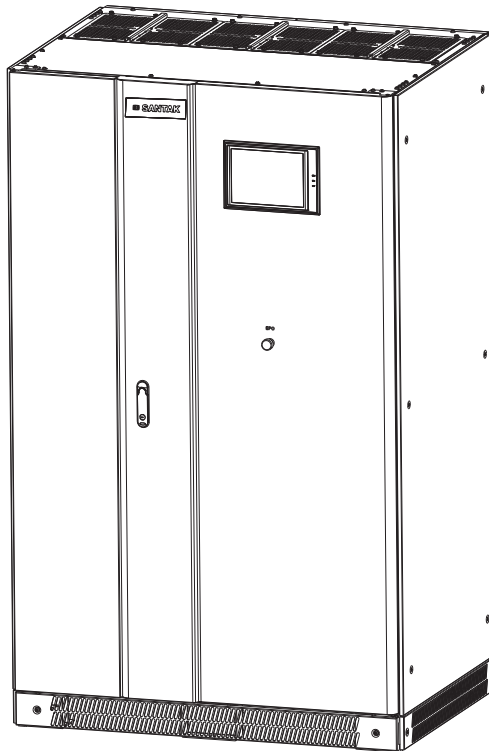


图2-1： Santak SIU UPS示意图

2.1. UPS标准功能

UPS 有许多标准功能，这些功能提供高效且稳定可靠的电源保护。本节将简要描述 UPS 的标准功能。

2.1.1. 安装特性

电源线可通过机柜底部、连接到 UPS 端子上。如需从顶部进线，需要增加顶部进线柜选配件。

2.1.2. 控制面板

UPS 前门的控制面板上的触摸屏用于显示 UPS 系统的状态，详情请参考第 7 章“UPS 面板说明”。

2.1.3. 干接点

用户可通过配置干接点来监视外部告警和 UPS 的状态。更多信息请参考第 5 章“通讯”。

2.1.4. 高级电池管理

UPS 电池管理具有电池温度补偿的功能（此功能需要设置，默认为禁止电池温度补偿功能）。当电池周围环境温度升高时，电池充电电压相应降低，当电池周围环境温度降低时，电池充电电压相应升高，通过改变电池充电电压的方式，为电池提供最优的充电电压。电池温度补偿的功能需要与电池温度检测装置一起使用，请选配伊顿二代环境温度探头。

2.1.5. 维修旁路

UPS 内部配有维修旁路开关，可以在不间断为关键系统供电的同时对 UPS 的内部进行维修和维护。

2.2. 选项和附件

请联系 Santak 销售站点了解以下选项的信息。

2.2.1. 并机组件

并机系统最多可安装 8 台 UPS，提供并联或冗余功能。此系统能比单台 UPS 提供更大容量，并能依据客户需求进行灵活配置。1 台 UPS 因故障或维护不能工作时，其余并联冗余的 UPS 将继续为关键负载提供不间断电源。

2.2.2. 工业网关卡

Santak 工业网关卡综合了 SNMP 卡的诸多例如：SNMP 代理，HTTP/Web 服务器，Modbus 卡的功能。通过结合应用楼宇管理系统（BMS）可为 UPS 系统提供持续、可靠、精确的远程监控服务。用户可享受自定义例如远程开关机，第一时间获取 UPS 的系统提示，而无需亲临现场。



2.2.3. 电池冷启动组件

电池冷启动选项可以让 UPS 在没有交流输入电源的情况下，将直流母线电压通过电池冷启动装置升高到电池电压，辅助电源工作，整个 UPS 可以在没有交流输入源的情况下开始进入电池模式工作。

10–80kVA UPS 电池冷启动装置安装在 UPS 前侧内盖板上，打开 UPS 前门可以看到有一个红色按钮，丝印显示为：“Black Start”把外部电池接入到 UPS 端口，长按冷启动按钮，在 UPS 触摸屏亮后则可以松开按钮，UPS 初始化完成后会自动闭合电池接触器，此时可通过 UPS 面板手动开启到电池模式供电。

100–200kVA UPS 电池冷启动开关位于 UPS 前内门或 UPS 开关区域，打开 UPS 前门则可以看到，开关标签为“S5”，把外部电池接入到 UPS 端口，闭合电池冷启动开关 S5，在 UPS 触摸屏初始化完成后查看主页电池模块，在电池模块为绿色后等待 10S，然后闭合电池开关 Q5，同时断开电池冷启动开关 S5，此时可通过 UPS 面板手动开启到电池模式供电。

2.2.4. 负载总线同步组 (LBS)

LBS 是 Load Bus Synchronization 的缩写。意思是两个独立的 UPS 系统（可能是单机也可能是并机）通过 LBS 通讯线保持输出同步，然后由 STS（Smart Transfer Switch）智能选择供电质量好的回路给用户供电。

LBS 模式，在两套独立的单机系统或并机系统之间实现输出电压同步。一套为 LBS 主机系统，另一套为 LBS 从机系统，在任何稳态工况下能实现输出同步，以支持双母线的 UPS 配电方案。两个完全独立的 UPS 单机或并机系统的输出能在任何稳态工况下实现同步，以支持双母线的 UPS 配电方案。

LBS 的两套 UPS 系统的旁路可为同一源，也可为不同的源。

2.2.5. 绝缘检测仪

交流绝缘检测仪：交流绝缘检测仪用于对地隔离交流系统的对地电阻检测，当交流系统中的一相或者多相对地绝缘电阻降至一定幅值时，UPS 可以发出声光告警，及时提醒客户对交流系统进行检修，减少损失。

直流绝缘检测仪：用于配置输入隔离变压器或者交流输入对地隔离的 UPS 直流母线绝缘在线监测，可以同时检测正负母线对地绝缘是否异常。可以及时检测出电池漏液或者电池对地阻抗异常故障，及时提醒客户对直流电池系统进行检修，减少损失。

交流绝缘检测仪和直流绝缘检测仪适用于输入带隔离变压器配置的机型。

2.3. 电池系统

电池系统位于外部箱体，提供紧急短时后备电源，保证断电和其它电源问题出现时的操作。

第3章 UPS安装计划及开箱

按照以下基本顺序安装 UPS：

1. 为 UPS 系统制订一个安装计划（第 3 章）；
2. 为 UPS 系统选定安装地点（第 3 章）；
3. 检查并打开 UPS 机柜（第 3 章）；
4. 卸下并安装 UPS 机柜，并为系统铺设好电路（第 4 章）；
5. 如需要，安装附件或备选件（第 4 章）；
6. 填写安装清单（第 12 章）；
7. 由 Santak 客户服务工程师进行初步的操作检查和开机。



说明

开机调试必须由 Santak 客户服务工程师执行，否则第 11 章中的保修条款将失效。提供这项服务是 UPS 销售合同的一部分。请事先联系（通常要求提前三个工作日通知），以便预约理想的开机日期。



注意

安装时，请务必确保输入、输出、电池、负载与 UPS 连接正确，在授权工程师到达之前，禁止给 UPS 上电。



警告

UPS 的安装应由有资质的工程师进行，安装前，请仔细阅读本说明书，以及安装时所涉及的其他设备的说明书。

3.1. 制订安装计划

在安装 UPS 系统之前，阅读并理解此手册中与所要安装的系统配套的信息。用 3.2 章节中的相关过程和插图以及第 4 章的内容，制订合理的安装计划。



3.2. 现场准备

为了让 UPS 系统获得最高的工作效率，安装地点应该满足此手册中所述的环境参数。如果 UPS 工作在海拔高于 1000 米（3300 英尺），请联系山特服务代表。操作环境必须满足重量、清洁程度和特定的环境要求。

3.2.1. 环境和安装注意事项

风道入口环境需满足以下条件：

- 湿度计的干球温度与湿球温度应当总是保持至少 1 摄氏度（1.8 华氏度）的差别，以实现无凝露环境。
- 根据 ASHRAE90.1-2013 的要求最大的环境温度变化率应当低于 3 华氏度 / 5 分钟（36 华氏度 / 小时）。

UPS 运行环境条件的注意事项：

某些数据中心的制冷方式会使 UPS 机房和 / 或数据中心内部温度和相对湿度不均匀。这种制冷方式可能引发两个方面问题：

其一，引发机房内的小气候。这种小气候会导致机房内温度和 / 或相对湿度的持续差异，比如无论实际温度为多少，机房内一侧的温度总是低于另一侧。

其二，引发温度和 / 或相对湿度变化率的问题，这种问题发生在制冷系统的工作转换过程中时。

以上其中任意一个问题都能在 UPS 放置区域产生不良的小气候。如果这种小气候超出了本公司运行规格，UPS 的稳定性随着时间的推移会有所下降。同时，这些种极端的环境也会影响暴露于其中的服务器的稳定性。

UPS 系统的存储必须遵循以下要求：

- UPS 产品在运输或安装过程中应小心轻放、严禁磕碰，防止其受冲击。并能防止雨、雪和水的侵袭，保证产品不受损伤。严禁与酸碱等腐蚀物质放在一起。
- UPS 产品应存储在清洁、干燥、通风良好，空气中无腐蚀性气体，能防止雨、雪、水侵袭的地方，不得在阳光下长期暴晒。
- UPS 设备的存储期限：外包装箱完整未开箱前存储不超过 6 个月 UPS 系统的安装必须遵循以下指导：
- 此系统必须安装在适合的水平地板上。
- 冷风通过 UPS 机柜各部位的风栅进入 UPS 内部，并由 UPS 背部或顶部的风栅排出，因此，必须安装在混凝土或其它非易燃安装表面。
- 在干净、平稳的环境中安装 UPS，避开震动、灰尘、高湿、可燃性气体、可燃性液体或腐蚀性物质环境。

- UPS 正常工作时的环境要求在 0-40°C 之间。
- 电池组建议在 20-25°C 的环境温度之间使用。
- 最大相对湿度：95%，非冷凝
- 此系统必须安装在有适宜的温度和湿度的室内，远离污染物。
- UPS 正常工作时的海拔要求为 1000 米（3300 英尺）以下，如果客户使用在 2000 米（6600 英尺）以上，请拨打 Santak 热线获取更多的信息。

若不按此指导操作，保修条款将失效。



表3-1: UPS机柜重量

容量 (kVA)	型号	CTO	带包装尺寸 (mm)	尺寸 (mm)	重量 (公斤)	
			(WxDxH)	(WxDxH)	净重	毛重
10	SIU10K-31	SIU10K-316PXC	660*890*1230	560*720*1100	195	210
		SIU10K-316PFXC	660*890*1230	560*720*1100	225	240
		SIU10K-3112PXC	1060*890*1230	970*720*1100	310	330
15	SIU15K-31	SIU15K-316PXC	660*890*1230	560*720*1100	205	220
		SIU15K-316PFXC	660*890*1230	560*720*1100	235	250
		SIU15K-3112PXC	1060*890*1230	970*720*1100	350	370
20	SIU20K-31	SIU20K-316PXC	660*890*1230	560*720*1100	235	250
		SIU20K-316PFXC	660*890*1230	560*720*1100	275	290
		SIU20K-3112PXC	1060*890*1230	970*720*1100	360	380
30	SIU30K-31	SIU30K-316PXC	660*890*1230	560*720*1100	255	270
		SIU30K-316PFXC	1060*890*1230	970*720*1100	350	370
		SIU30K-3112PXC	1060*890*1230	970*720*1100	410	430
40	SIU40K-31	SIU40K-316PXC	660*890*1230	560*720*1100	300	315
		SIU40K-316PFXC	1060*890*1230	970*720*1100	405	425
		SIU40K-3112PXC	1060*890*1230	970*720*1100	420	440
50	SIU50K-31	SIU50K-316PXC	928*1006*2000	800*800*1800	505	555
		SIU50K-316PFXC	928*1006*2000	800*800*1800	645	695
		SIU50K-3112PXC	928*1006*2000	800*800*1800	720	790
60	SIU60K-31	SIU60K-316PXC	928*1006*2000	800*800*1800	535	585
		SIU60K-316PFXC	928*1006*2000	800*800*1800	675	725
		SIU60K-3112PXC	1218*930*2000	1100*800*1800	750	820
80	SIU80K-31	SIU80K-316PXC	928*1006*2000	800*800*1800	565	615
		SIU80K-316PFXC	928*1006*2000	800*800*1800	715	765
		SIU80K-3112PXC	1218*930*2000	1100*800*1800	800	870
100	SIU100K-31	SIU100K-316PXC	1218*930*2000	1100*800*1800	810	865
		SIU100K-316PFXC	1218*930*2000	1100*800*1800	935	985
		SIU100K-3112PXC	1518*930*2000	1400*800*1800	1240	1310
120	SIU120K-31	SIU120K-316PXC	1218*930*2000	1100*800*1800	870	920
		SIU120K-316PFXC	1218*930*2000	1100*800*1800	995	1045
		SIU120K-3112PXC	1518*930*2000	1400*800*1800	1390	1460
160	SIU160K-31	SIU160K-316PXC	1518*930*2000	1400*800*1800	1075	1125
		SIU160K-316PFXC	1518*930*2000	1400*800*1800	1240	1290
		SIU160K-3112PXC	1716*930*2000	1600*800*1800	1685	1755
200	SIU200K-31	SIU200K-316PXC	1518*930*2000	1400*800*1800	1130	1180
		SIU200K-316PFXC	1518*930*2000	1400*800*1800	1295	1345
		SIU200K-3112PXC	1716*930*2000	1600*800*1800	1740	1810

SIU10-200 kVA 采取的是正面风扇强制冷却，安装场地必须考虑通风问题同时机内维护是从正面、后面及顶部进行，因此也要考虑预留维护空间。

为方便对 UPS 的巡视，安装时，UPS 前面应保留足够的操作空间，最小间距以 UPS 门完全打开人能自由通过为准。

UPS 的后背板与墙壁间要保持距离，以利于风扇的排热，同时方便维护，禁止在 UPS 的上方放置任何物品。

表3-2：UPS机柜安装空间

容量	位置	预留空间
10-80kVA	机柜顶部	至少 600mm 的工作空间
	机柜前部	至少 800mm 的工作空间
	机柜后面	至少 800mm 的工作空间
100-200kVA	机柜顶部	至少 800mm 的工作空间
	机柜前部	至少 1000mm 的工作空间
	机柜后面	至少 800mm 的工作空间



注意

如电池系统与 UPS 安装在同一机房，当电池的环境要求比 UPS 更严苛时，需要遵循电池制造商的环境要求。运行温度超出建议的范围会降低电池寿命与性能，可能造成电池保修条款失效。

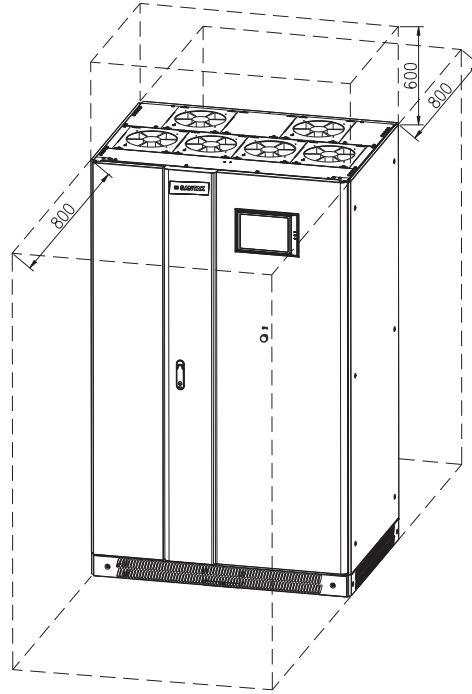


图3-1: Santak SIU10-80kVA UPS机柜预留空间示意图

单位: 毫米

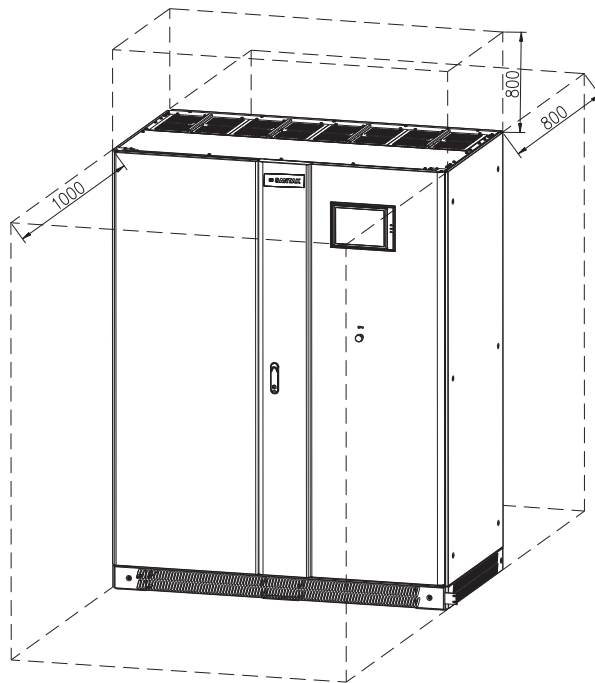


图3-2: Santak SIU100-200kVA UPS机柜预留空间示意图

单位: 毫米

表3-3：UPS满负荷运行时的空调或通风要求

CTO	功率	输入 / 输出电压 (V)	BTU/h*1000	散热
				(千卡 / 小时)
SIU10K-316PXC	10kVA	380/220; 400/230; 415/240	5.00	1260
SIU10K-316PFXC		380/220; 400/230; 415/240		
SIU10K-3112PXC		380/220; 400/230; 415/240		
SIU15K-316PXC	15kVA	380/220; 400/230; 415/240	5.12	1290
SIU15K-316PFXC		380/220; 400/230; 415/240		
SIU15K-3112PXC		380/220; 400/230; 415/240		
SIU20K-316PXC	20kVA	380/220; 400/230; 415/240	6.82	1719
SIU20K-316PFXC		380/220; 400/230; 415/240		
SIU20K-3112PXC		380/220; 400/230; 415/240		
SIU30K-316PXC	30kVA	380/220; 400/230; 415/240	10.24	2579
SIU30K-316PFXC		380/220; 400/230; 415/240		
SIU30K-3112PXC		380/220; 400/230; 415/240		
SIU40K-316PXC	40kVA	380/220; 400/230; 415/240	12.15	3061
SIU40K-316PFXC		380/220; 400/230; 415/240		
SIU40K-3112PXC		380/220; 400/230; 415/240		
SIU50K-316PXC	50kVA	380/220; 400/230; 415/240	15.19	3826
SIU50K-316PFXC		380/220; 400/230; 415/240		
SIU50K-3112PXC		380/220; 400/230; 415/240		
SIU60K-316PXC	60kVA	380/220; 400/230; 415/240	18.00	4536
SIU60K-316PFXC		380/220; 400/230; 415/240		
SIU60K-3112PXC		380/220; 400/230; 415/240		
SIU80K-316PXC	80kVA	380/220; 400/230; 415/240	22.53	5677
SIU80K-316PFXC		380/220; 400/230; 415/240		
SIU80K-3112PXC		380/220; 400/230; 415/240		
SIU100K-316PXC	100kVA	380/220; 400/230; 415/240	27.43	6912
SIU100K-316PFXC		380/220; 400/230; 415/240		
SIU100K-3112PXC		380/220; 400/230; 415/240		
SIU120K-316PXC	120kVA	380/220; 400/230; 415/240	32.92	8294
SIU120K-316PFXC		380/220; 400/230; 415/240		
SIU120K-3112PXC		380/220; 400/230; 415/240		
SIU160K-316PXC	160kVA	380/220; 400/230; 415/240	42.72	10766
SIU160K-316PFXC		380/220; 400/230; 415/240		
SIU160K-3112PXC		380/220; 400/230; 415/240		
SIU200K-316PXC	200kVA	380/220; 400/230; 415/240	53.41	13457
SIU200K-316PFXC		380/220; 400/230; 415/240		
SIU200K-3112PXC		380/220; 400/230; 415/240		



3.3. UPS安装尺寸图

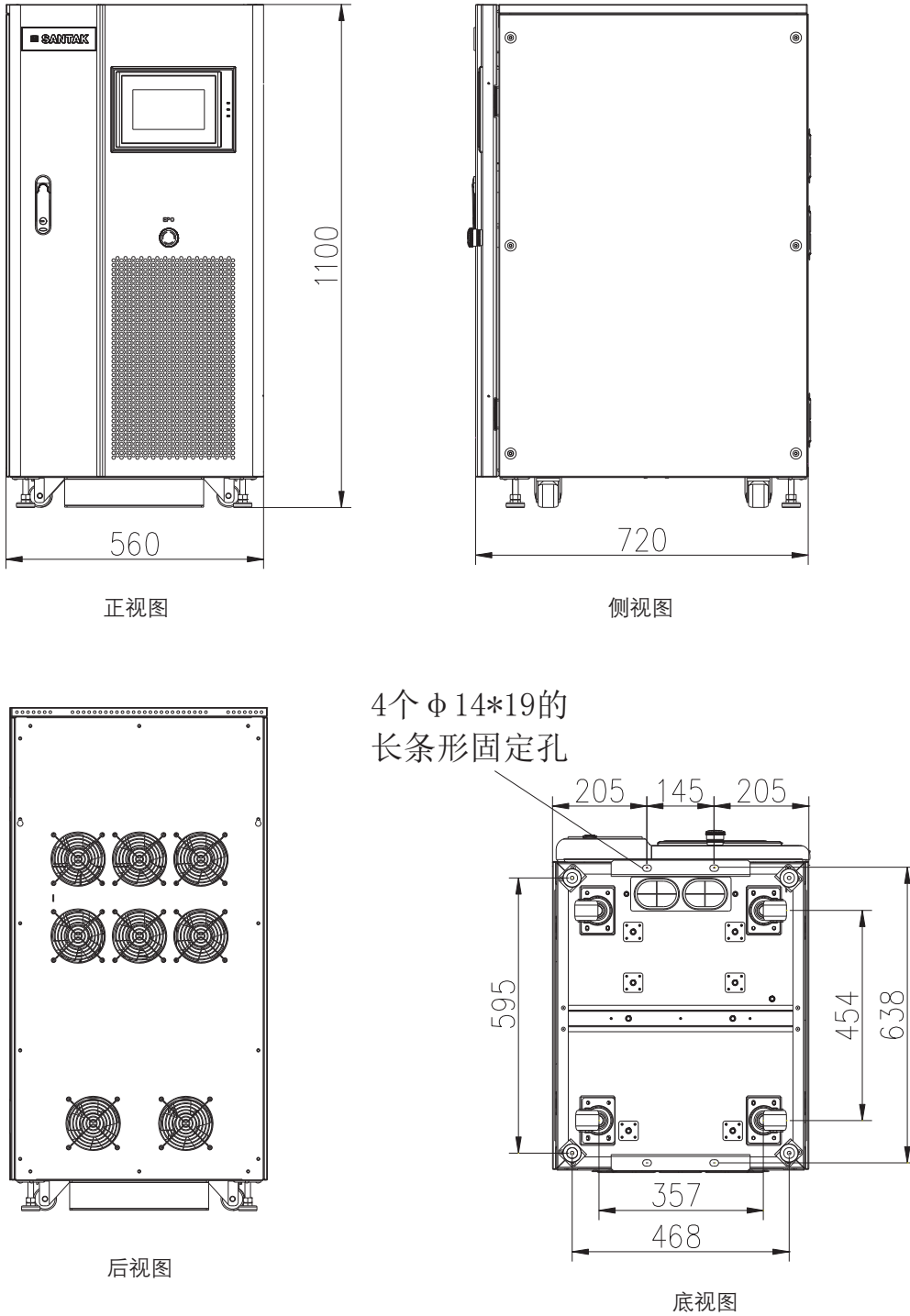


图3-3： 10kVA-20kVA UPS (6P、6P+5TH) 正/侧/后/底视图

单位：毫米

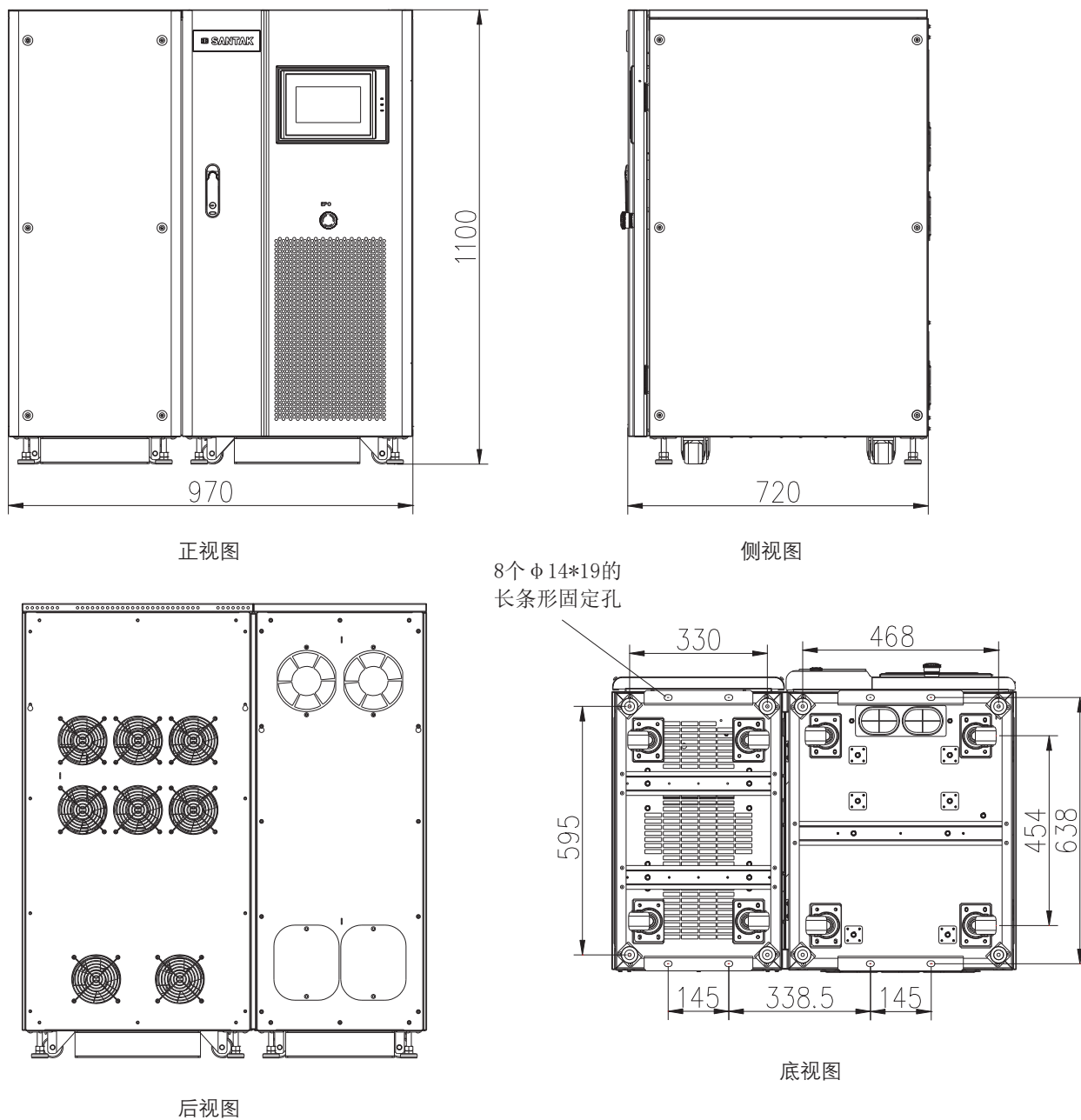


图3-4: 10kVA-20kVA UPS (12P) 正/侧/后/底视图

单位: 毫米

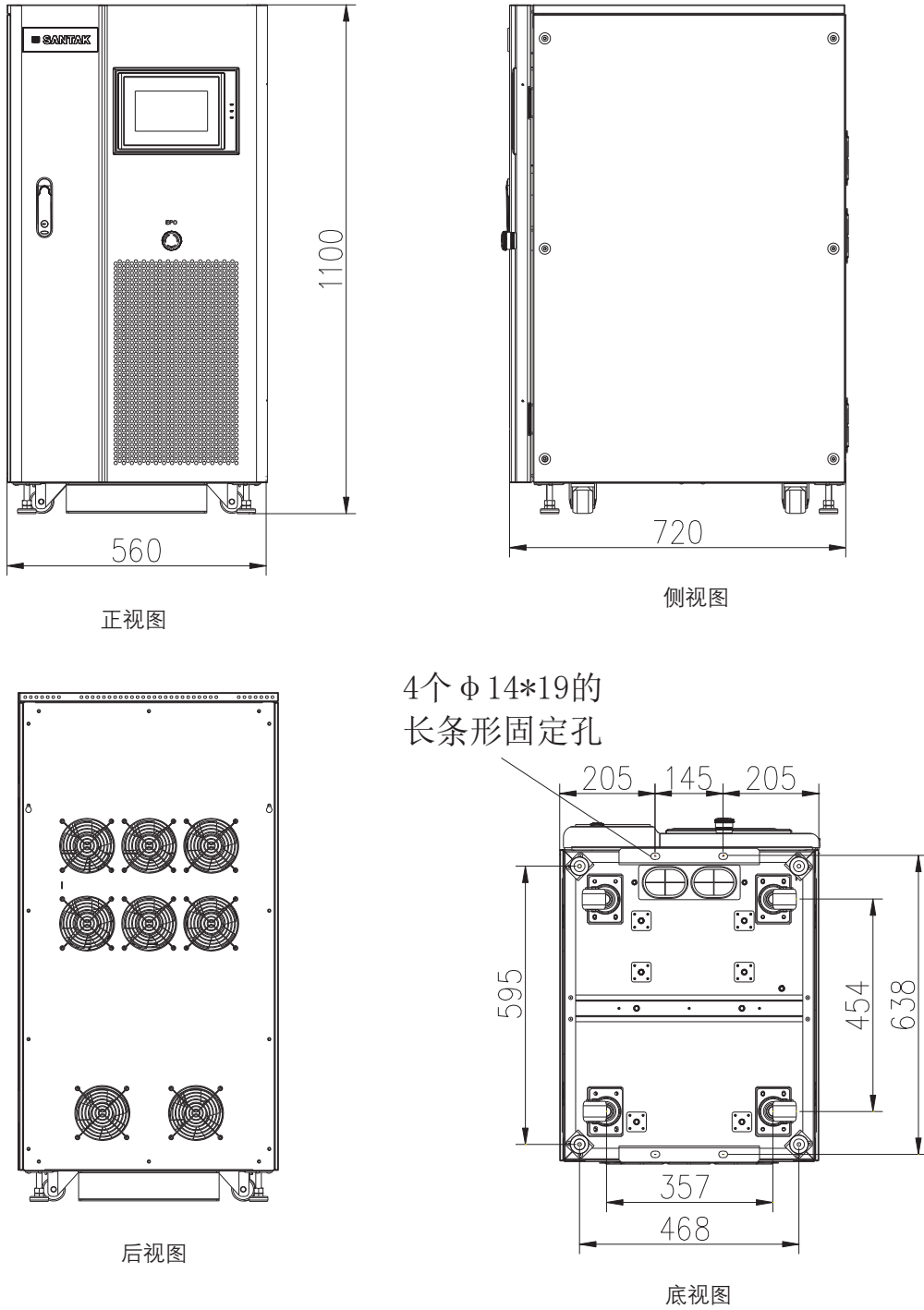


图3-5: 30kVA/40kVA UPS (6P) 正/侧/后/底视图

单位: 毫米

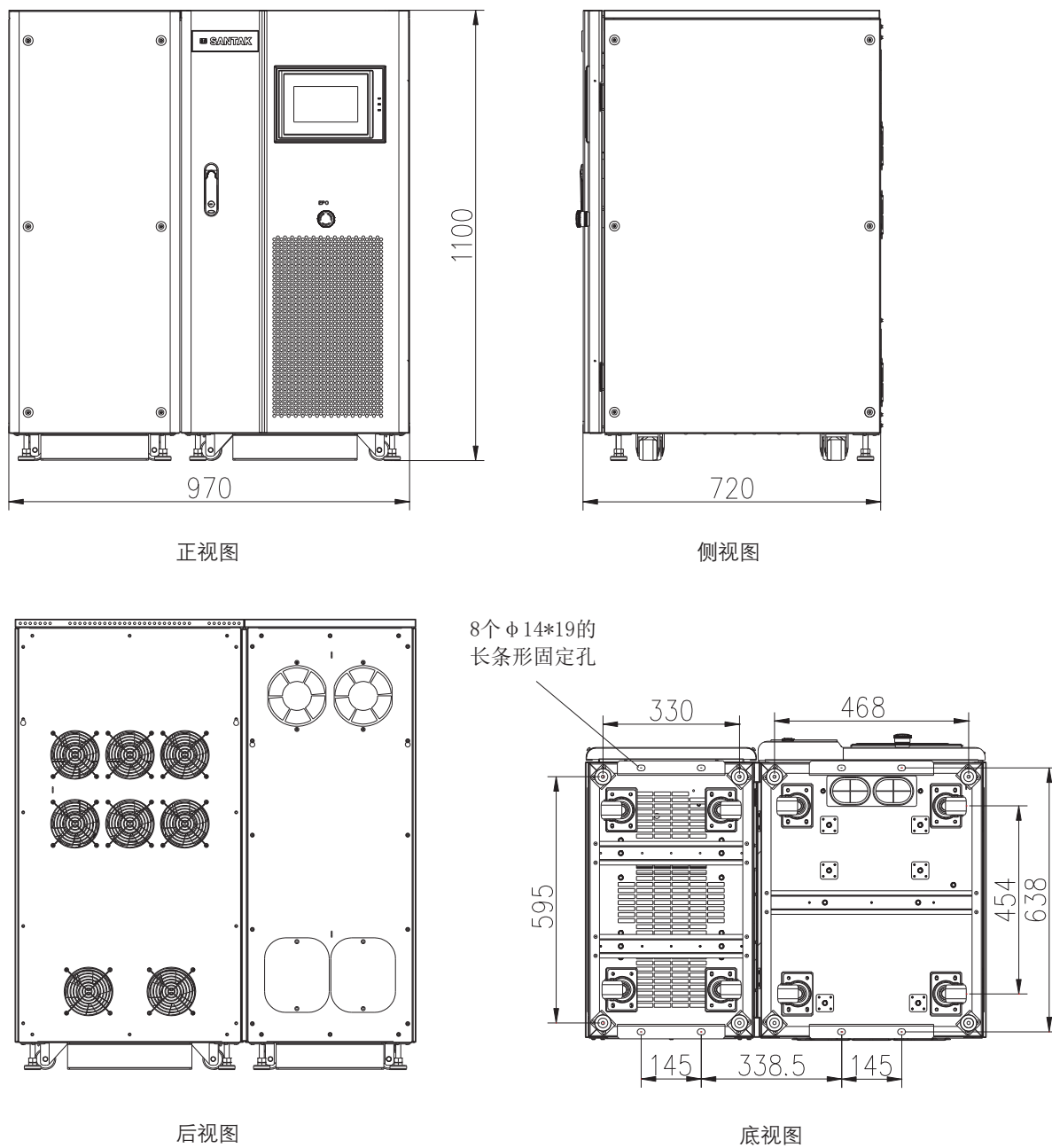


图3-6: 30kVA/40kVA UPS (6P+5TH、12P) 正/侧/后/底视图

单位: 毫米

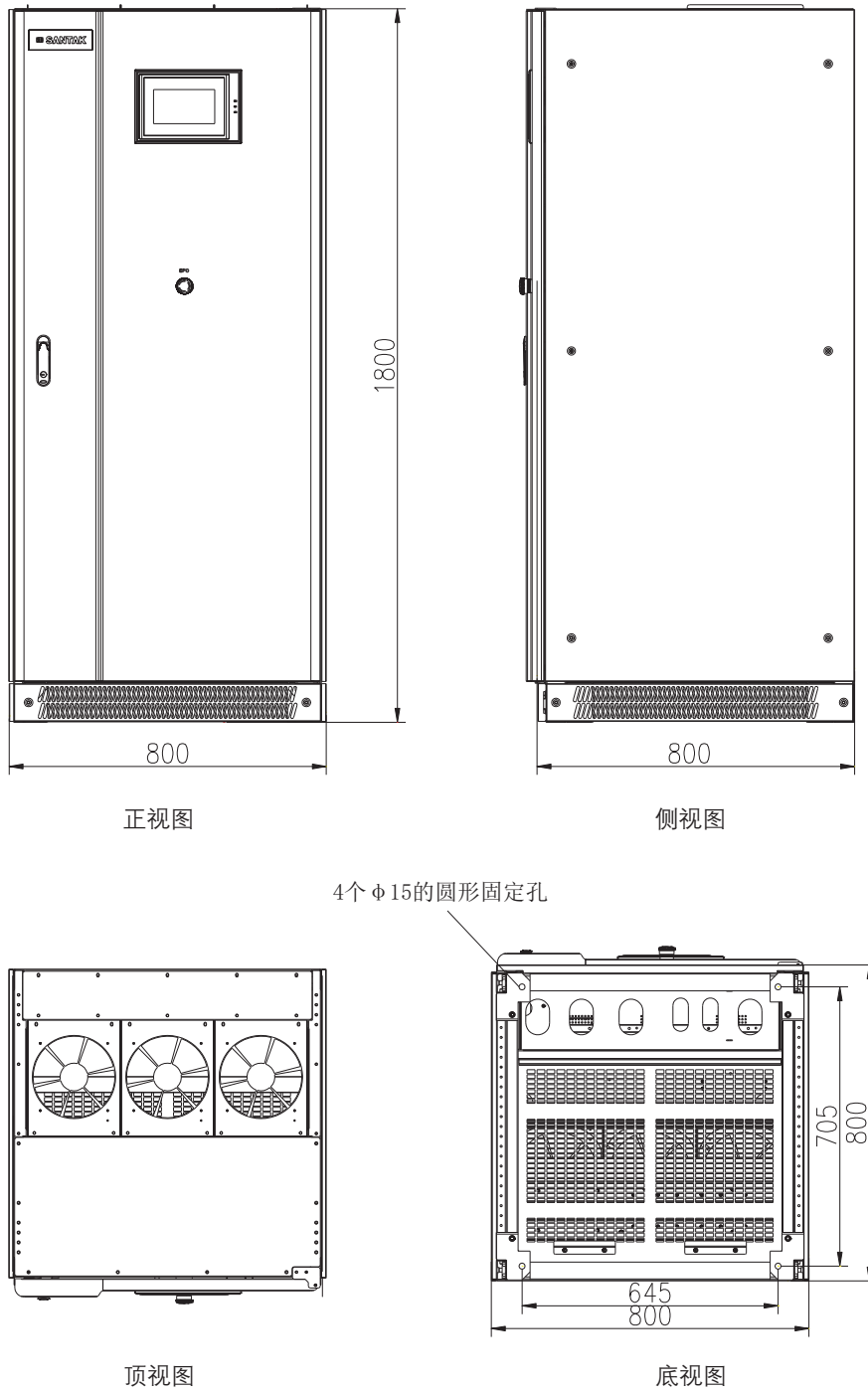


图3-7：50kVA UPS（6P、6P+5TH、12P）和60kVA-80kVA（6P、6P+5TH）正/侧/顶/底视图

单位：毫米

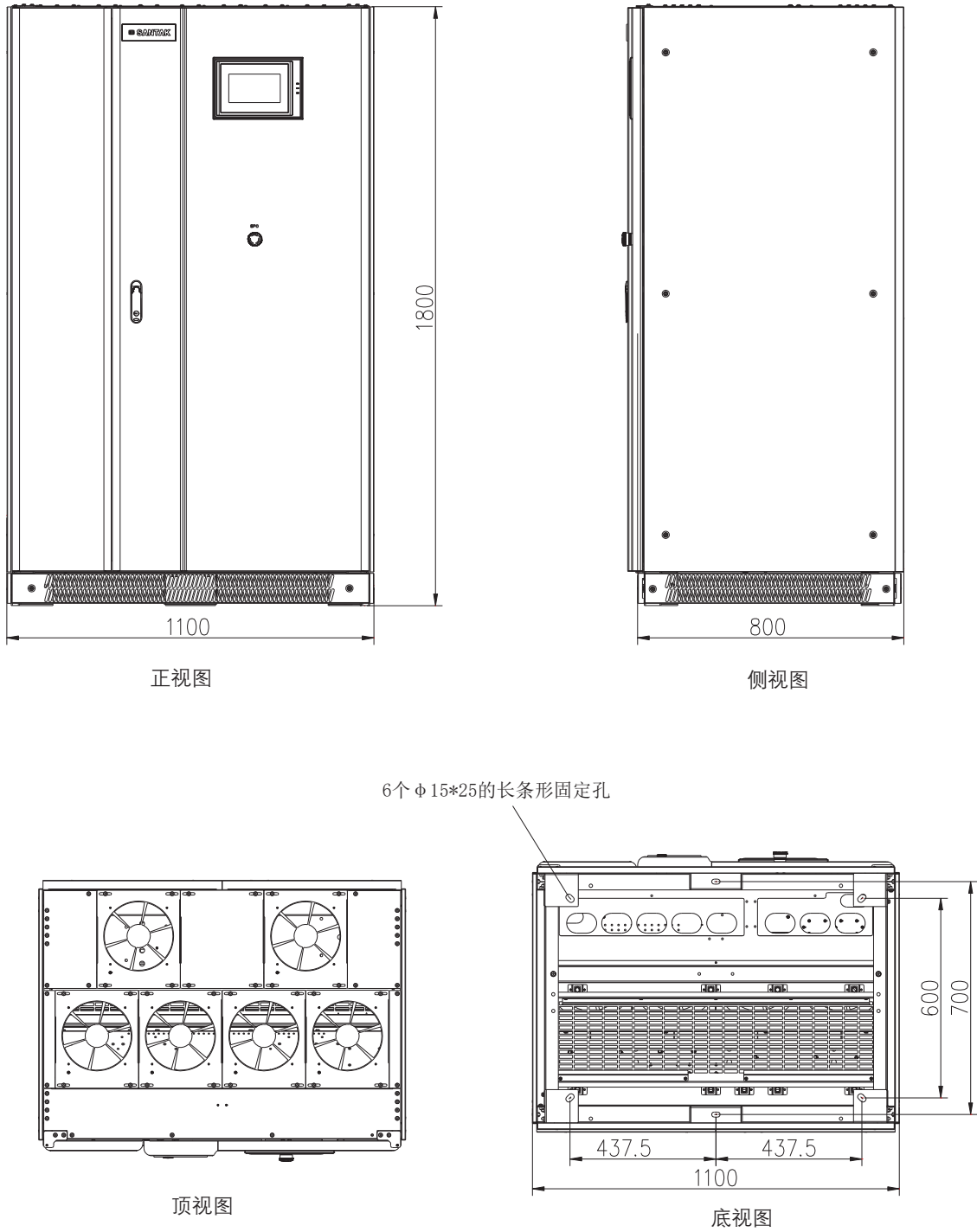
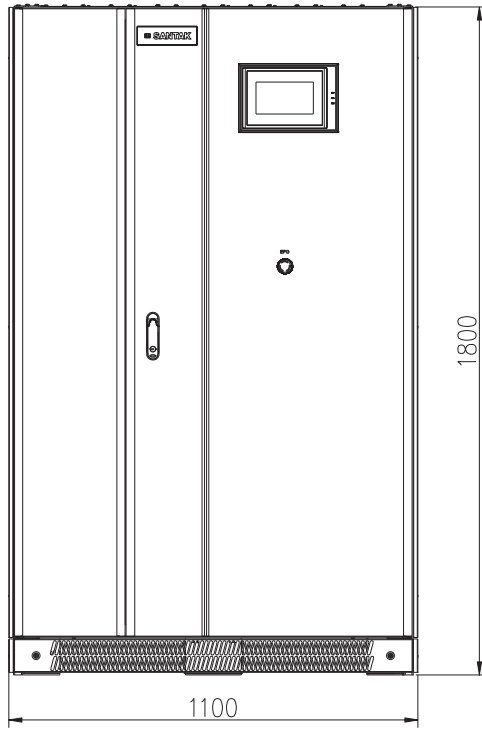
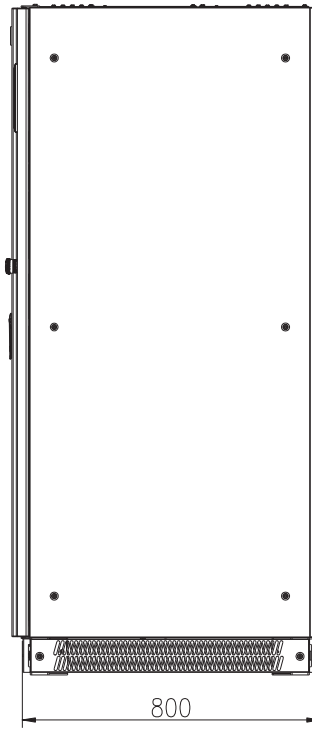


图3-8: 60kVA/80kVA UPS (12P) 正/侧/顶/底视图

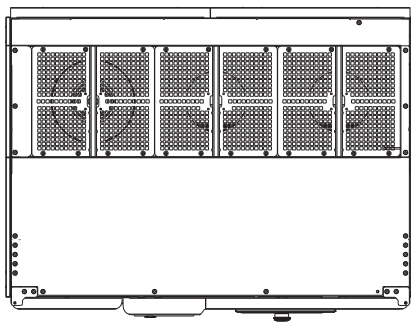
单位: 毫米



正视图

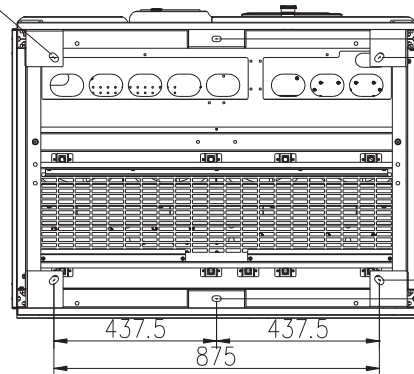


侧视图



顶视图

6个 $\phi 15*25$ 的
长条形固定孔



底视图

图3-9: 100kVA/120kVA UPS (6P、6P+5TH) 正/侧/顶/底视图

单位: 毫米

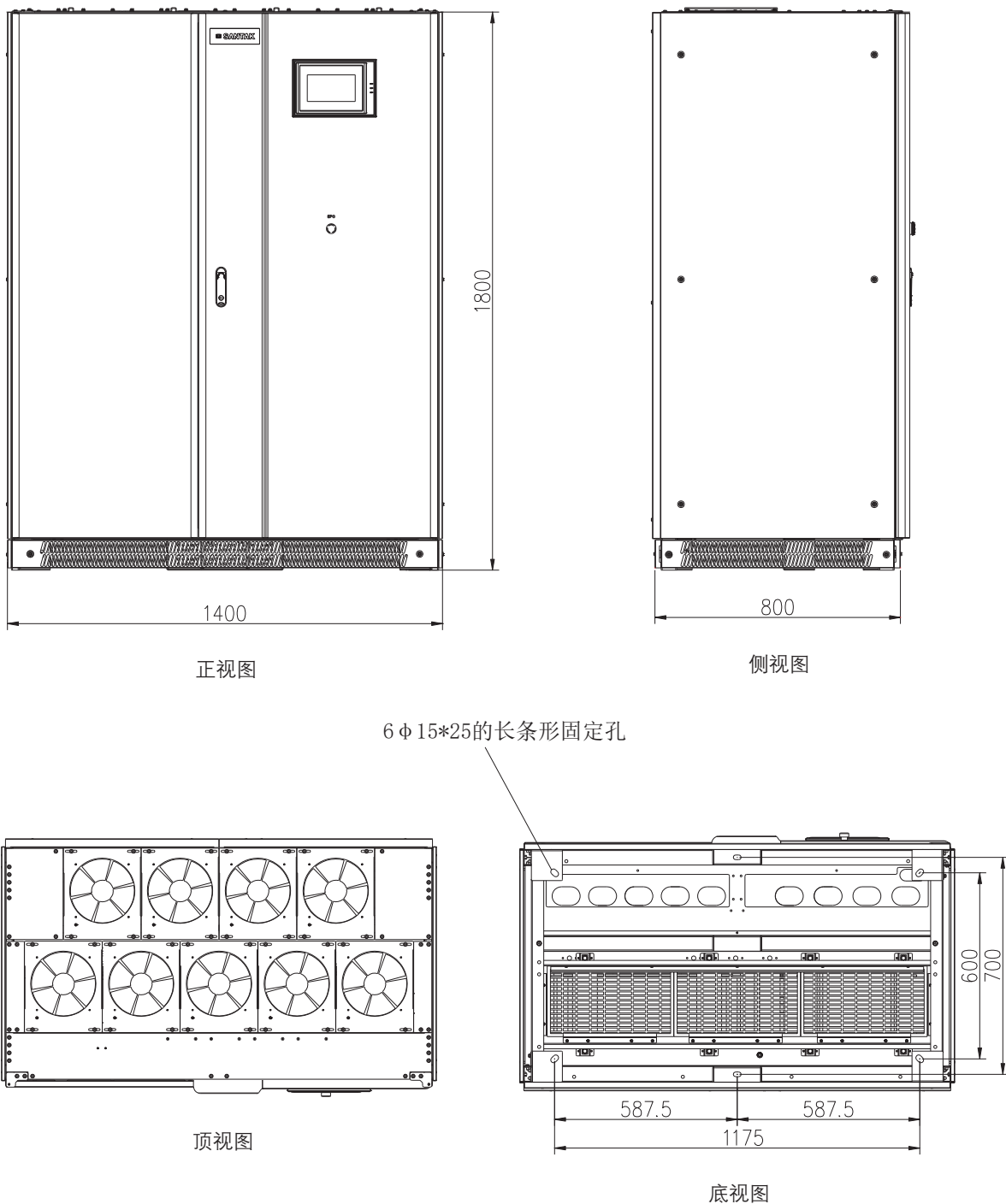
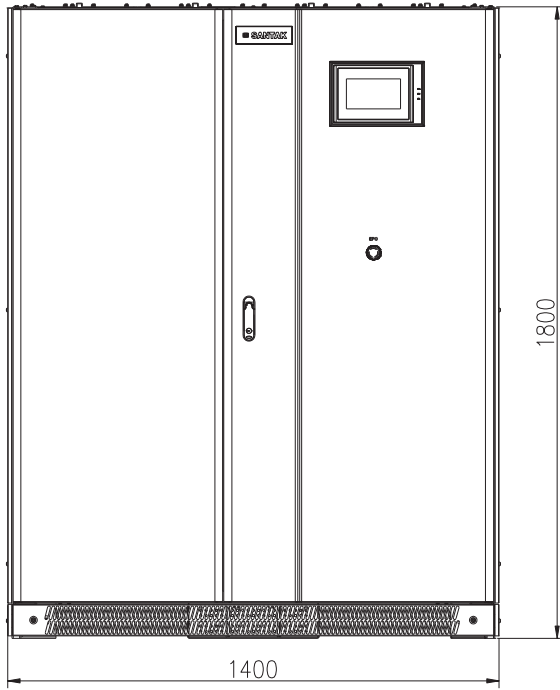
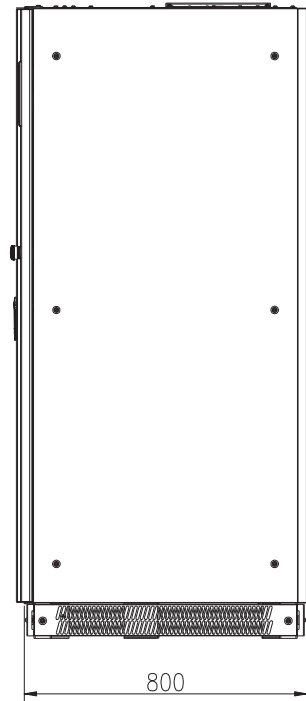


图3-10: 100kVA/120kVA UPS (12P) 正/侧/顶/底视图

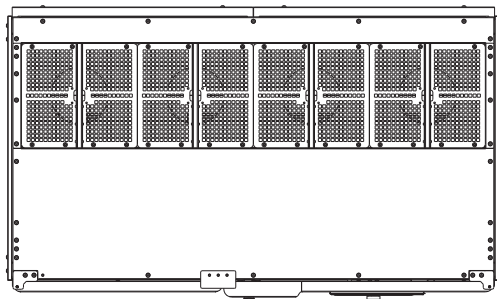
单位: 毫米



正视图

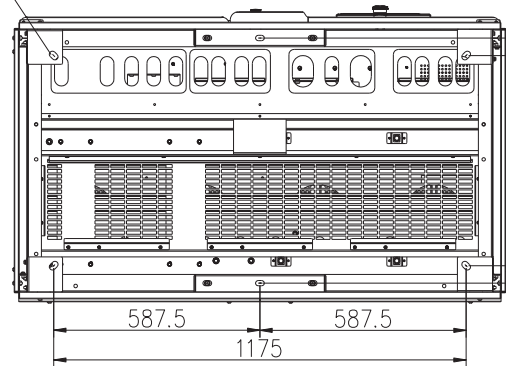


侧视图



顶视图

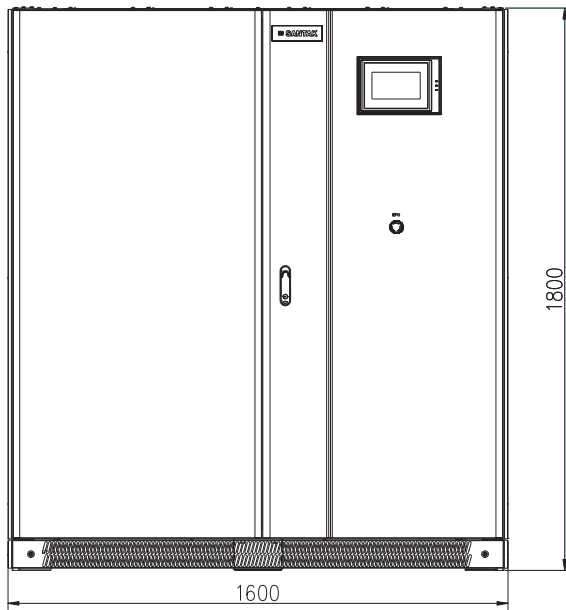
6个 $\phi 15 \times 25$ 的
长条形固定孔



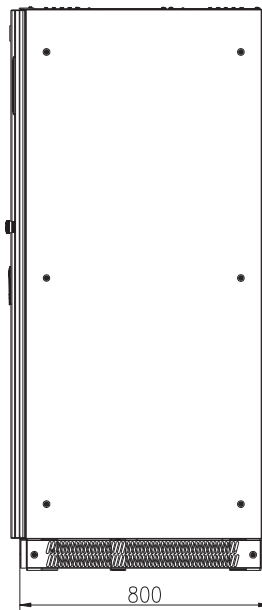
底视图

图3-11: 160kVA/200kVA UPS (6P、6P+5TH) 正/侧/顶/底视图

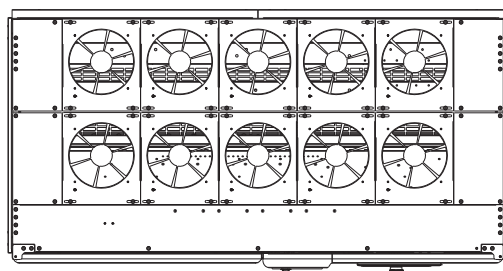
单位: 毫米



正视图

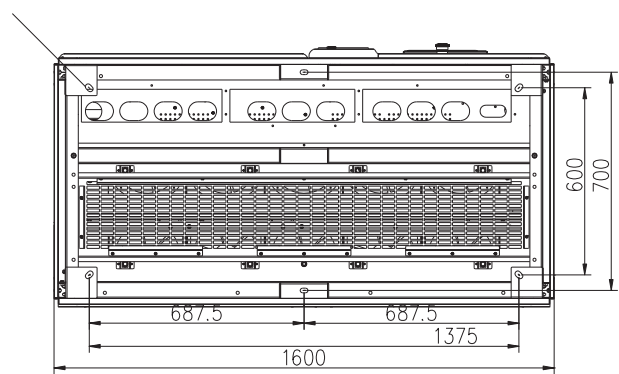


侧视图



顶视图

6个 $\Phi 15 \times 25$ 的
长条形固定孔



底视图

图 3-12: 160kVA/200kVA UPS (12P) 正 / 侧 / 顶 / 底视图

单位: 毫米



3.3.1. UPS系统电源配线准备

- UPS 设备运行的环境必须满足表 3-1 的重量要求和图 3-3 至图 3-12 的尺寸要求。
- 关于适当的外部接线惯例，请参考国家或地方电气规范。
- 大接触电流！在连接电源之前必须先接地！连接负载也可能造成大漏电流，在接通电源和产品操作之前必须先接地。禁止断开地线连接来确认 UPS 的运行状态。
- 电击危险。UPS 由多路电源供电，维修前必须先断开 UPS 所有交流电源和直流电源。在断开市电和 DC 电源后，维修人员至少应等待 5 分钟，让电容器放完电，并用万用表确认后再接近 UPS 内部。
- 外部接线所需的材料和操作应由指定的人员提供和执行。
- 外部接线须采用能承受 90°C 温度的铜线，请参阅表 3-5 查找合适信息，电线规格由所用断路器决定。若导线运行在高于 30°C 的环境温度下，需要换用更高耐温等级的电线或更粗的电线。
- 为了以后扩容，应在 UPS 满载下降额选取电源线 and 外部过流保护开关。
- 如需安装外部的维护旁路，UPS 的整流输入电源和维护旁路电源需相互独立，维护旁路开关能够提供 UPS 和维护旁路电源相隔离的 AC 输入。如所安装的维护旁路开关无此功能，那么不能使用一个开关同时提供 UPS 的整流输入与维护旁路输入。
- 旁路输入到该设备采用一根火线，一根零线和接地导体（保护接地导体）。市电输入到该设备采用三线（三根火线）和接地导体（保护接地导体）。
- 并联 UPS 的输入输出接线尺寸要求与单一系统从 UPS 到配电柜的要求一致。
- 设备无电源隔离装置，因此，客户需在 UPS 附近安装该装置。
- 电池正负极必须正确连接。
- 客户端在连接 UPS 前必须在配电系统中安装额定规格值的三极过流断路保护装置，断开装置应当能同时断开电网电源的所有相线。
- 不要断开 N 线，N 线是 UPS 系统旁路工作回路。
- 如果断开装置断开 N 线，则应当同时断开所有的相线。
- 在单相电流超过 100A 时，所用保护空气开关必须带有灭弧装置（电弧控制器件），客户端建议是选用有认证的 D 曲线空开。
- 本 UPS 需要 N 线连接，在 UPS 上电前请确认 N 线已连接。UPS 电源端子排位置请见图 4-2 和图 4-8。

表3-4： 10–200 kVA 系列UPS的电流规格

UPS 功率 (kVA)	额定电流： Amps						
	电池满载充电时的输入市电			满载输出			最低电池电压时的 电池放电电流
	380V	400V	415V	220V	230V	240V	
10	22	21	20	45	43	42	32
15	34	32	31	68	65	63	48
20	44	42	40	91	87	83	64
30	67	64	61	136	130	125	95
40	88	84	79	182	174	167	127
50	112	107	102	227	217	208	158
60	134	128	122	273	261	250	190
80	176	168	158	364	348	333	254
100	205	196	188	455	435	417	292
120	246	235	226	545	522	500	349
160	341	324	312	728	696	666	464
200	426	405	390	910	870	834	580

表3-5： 10–200 kVA 系列 UPS 电缆推荐最小截面积和端子安装规格

UPS 功率 (kVA)	交流配电								直流配电			
	市电输入				旁路输入 / 交流输出				推荐 电池 电缆 大小 (mm ²)	接线端 子的尺 寸(最 大宽度) (mm)	螺栓 规格	安装 力矩 (Nm)
	推荐电 缆大小 (mm ²)	接线端 子的尺 寸(最 大宽度) (mm)	螺栓 规格	安装 力矩 (Nm)	推荐 电缆 大小 (mm ²)	接线端 子的尺 寸(最 大宽度) (mm)	螺栓 规格	安装 力矩 (Nm)				
10	6	16.8	M6	4.5	16	16.8	M6	4.5	10	16.8	M6	4.5
15	10	16.8	M6	4.5	35	16.8	M6	4.5	16	16.8	M6	4.5
20	10	16.8	M6	4.5	35	16.8	M6	4.5	16	16.8	M6	4.5
30	16	22.8	M8	12	50	39.8	M10	25	25	22.8	M8	12
40	25	22.8	M8	12	70	39.8	M10	25	35	22.8	M8	12
50	35	39.8	M10	25	95	/	M10	25	50	39.8	M10	25
60	35	39.8	M10	25	120	/	M12	50	50	39.8	M10	25
80	50	39.8	M10	25	150	/	M12	50	70	39.8	M10	25
100	70	/	M10	25	185	/	M12	50	95	/	M10	50
120	95	/	M10	25	240	/	M12	50	120	/	M10	50
160	120	/	M12	50	2 × 150	/	M16	100	150	/	M12	50
200	150	/	M12	50	2 × 185	/	M16	100	240	/	M12	50

注*：上述电缆选择适合环境温度为 25°C，明敷。

以上线径要求仅为 Santak 建议，非强制标准。实际配置需要根据所在地区的标准和用户实际情况而定。



注意

该产品不提供外部过流保护器，但须符合当地法规要求。如需安装输入 / 输出断开装置，断开装置由客户提供。

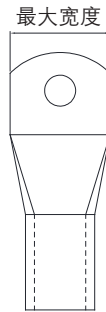


图3-13：接线端子最大宽度示意图

3.3.2. UPS系统接口接线准备

外部控制通讯线应连接在 UPS 内部的界面端子台上。在计划和准备进行安装时，请仔细阅读并理解下面的事项：

- 所有接口配线都由客户提供。
- 通讯接口和干接点接口为 SELV 电路，输出干接点额定电压 24V，额定电流 0.5A。
- 外部通讯，干接点（如外部告警输入导线，干接点连接导线及 Mini-Slot 卡通讯线）应与电源线分开安装，并要双重绝缘。
- 在外部告警输入和干接点之间，所有的信号输入或远程特性需求，都需要一个额定值为 24Vdc，最小 20mA 的隔离常开接触器或开关。所有的控制线，继电器和开关接触器都由客户提供。对于每一个外部告警输入和干接点都需要使用双绞线。
- 使用 Mini-Slot 卡的局域网和电话入口必须由设备计划者或用户自行提供。
- 如果用导管接线，系统接口线与电源线需分开使用导管。

第4章 UPS 系统安装

本章节介绍了 UPS 机械安装与线缆安装的相关操作，连接 UPS 和市电的线缆需要客户自行提供。

UPS 的安装检查及初次开机必须由 Santak 客户服务工程师执行；电池柜可由设备制造商或代理商有资质的服务人员来执行。

4.1. 预备安装信息



警告

- 安装工作只能由合格的专业人员执行。
- 如不按操作手册执行，有可能会造成人身伤害或导致 UPS 和负载设备的损坏。

安装 UPS 系统时请参阅以下内容：

- 阅读第 3 章，了解机柜尺寸、装置重量、配线以及端子数据和安装事项。
- 安装期间机柜的倾斜程度不得大于 $\pm 10^\circ$
- 若需要通风用的穿孔地面砖，请将其放在 UPS 前面。
- 仅适宜安装在混凝土或不易燃的表面上。

4.2. UPS 机柜的检查和开箱

机柜运输时用螺钉固定到木制的货盘上，并有外部保护包装材料保护。



警告

- UPS 机柜很重，重量参见表 3-1，如果不遵循装卸说明，机柜可能会翻倒，造成严重的人身伤害。
- UPS 为精密电子设备，仅支持垂直运输、搬运及安装，严禁倾倒；倾倒或水平运输、搬运及安装可能导致 UPS 内部器件损坏。
- UPS 仅支持带包材底座吊装。严禁直接吊装 UPS，直接吊装 UPS 可能导致 UPS 内部器件损坏。

1. 仔细检查外部包装，查看搬运过程中有无明显损伤。如发现损坏请勿继续操作，如发现任何损坏，请告知承运商，并尽快联系代理商，请不要安装已损坏的机柜；



说明

在进行下面步骤之前，请确保货叉或货盘起重器能够承受机柜的重量（机柜重量请参见表 3-1）。

2. 在拆装之前，请在将机柜从货盘上卸下之前用叉车或货盘起重器将其移到安装地点或离安装地点尽可能近的地方；



注意

机柜的倾斜不能超过 10 度（偏离竖直线），否则机柜有可能翻倒。

3. 将货盘放置在稳固的水平面上，每边保留至少 3 米的空地，将机柜从货盘上卸下。
4. 使用钉锤撬开木箱四周的金属连接构件，移除木箱、缓冲材以及防潮袋；
5. 拆下保护盖之后，检查有无明显损坏的迹象，按照提货单上的项目逐一核对，如有缺损，立即联系当地代理商确认损坏程度及对进一步安装的影响；
6. 拆除机柜固定装运托架及托架固定在栈板上的螺钉。如果要永久安装机柜，请保存好装运托架和固定五金件，以备后用；
7. 在安装等待期间，未打开包装的机柜要注意防潮、防尘以及其它污染物，由储存或保护不当引起的 UPS 损坏不在保修之列



注意

当抬起或移动机柜时，为防止对底座中的布线通道和布线造成损坏，请确保叉车货叉处于水平位置插入到叉车插槽中，勿将货叉向上倾斜，叉车必须穿过整个栈板底座。

8. 请执行第 4.3 节进行 UPS 系统安装。



说明

在安装等待期间，未打开包装的机柜要注意防潮、防尘以及其它污染物。由储存或保护不当引起的 UPS 损坏不在保修之列。



图4-1： 装载在货盘上的UPS机柜



4.3. 系统安装

4.3.1. 机械安装



说明

- 在进行下面步骤之前，请确保货叉或货盘起重器能够承受机柜的重量（机柜重量请参见表 3-1）。
 - 机柜的倾斜不能超过 10 度（偏离竖直线），否则机柜有可能翻倒。
-
1. 如果为永久性安装机柜，请将UPS 机柜安装在地面或者槽钢上；
 2. 使用地脚上的孔位（孔位尺寸请参见图3-3至图3-12底视图，更详细的安装图请联系客服提供），将UPS机柜安装在地面或者槽钢上；
 3. 装回机柜前后两侧的装运托架；
 4. 安装并机系统，请对所有的UPS 机柜重复以上步骤；
 5. 执行第4.3.2节安装线缆。

4.3.2. 安装外部电源配线

电源和控制信号线从机柜的底部进线，方便现场安装。



注意

- UPS 敷设线缆的原则是：先内后外，自下而上。
 - 敷设线缆完成后需使用防火泥填充线缆与机柜之间的缝隙。
-
1. 电源线接在UPS的电源端子上，布线信息和端子位置见图4-2至图4-8。
 2. 参考国家或地方电气规范选择地线，并把地线接在输入的接地端子上。



警告

- 大接触电流在连接电源之前必须先接地！连接负载也可能造成大漏电流，在接通电源和产品操作之前必须先接地。禁止断开地线连接来确认 UPS 的运行状态。
- 对于前端配置有 4-pole ATS 或发电机的 UPS 系统，请确保 ATS 切换不会导致输入 N 线中断连接。
- BAT+/BAT- 是电池接线端，电池正极为红色电缆，电池负极为黑色或蓝色电缆。

- 该 UPS 不带有隔离保护装置。因此，需要客户在 UPS 外部安装该装置。
- 输入 N 线应在无交流输入（空转）的情况下直接连接到 UPS 接线端子排输入 N 端子上。
- UPS 上的保护接地端子供交流电源和负载电源使用；电池箱接地可以接到 UPS 保护接地端子，也可以单独连接保护地。如果电池单独连接保护地，需与 UPS 保护地处于同一电位。

4.3.3. 电源线连接步骤

设备摆放完成后，参见图4-2至图4-8，按如下步骤连接功率线缆：

1. 确认UPS所有输入配电开关彻底断开，UPS内部电源开关全部断开，并在这些开关处做好警示标识，以防止被误合上。
2. 打开UPS前门，取下下部保护盖板，可见图4-2至图4-8所示连接端子排。
3. 连接接地电缆至接地端子排上。

系统输入连接

如果市电输入和旁路输入是不同源的，则将市电输入电缆与输入端子排U1-V1-W1端子相连，将旁路输入电缆与旁路端子排（U2-N2端子）相连。

系统输出连接

将系统输出电缆连接在输出端子排（U3-N3端子）和负载之间。



注意

如 UPS 暂无供电需求，请处理好系统输出电缆末端的安全绝缘，避免触电风险。

电池连接

将电池电缆连接在UPS（BAT+ /BAT-）端子与电池之间。注意确保电池连接极性的正确性。

4. 确认所有电缆连接完成，线缆无松动后，装回金属保护盖板。



注意

设备安装尚未完成前，请不要闭合电池开关。

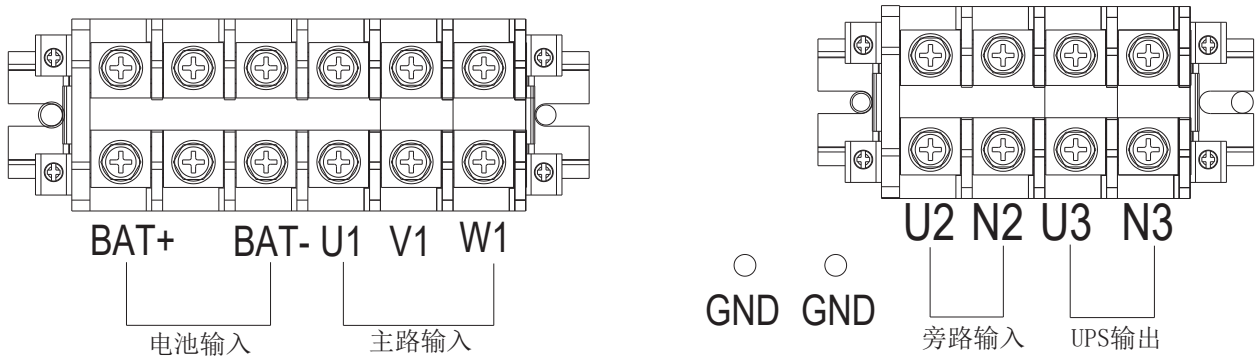


图4-2： 10kVA~40kVA UPS功率电缆连接端子示意图

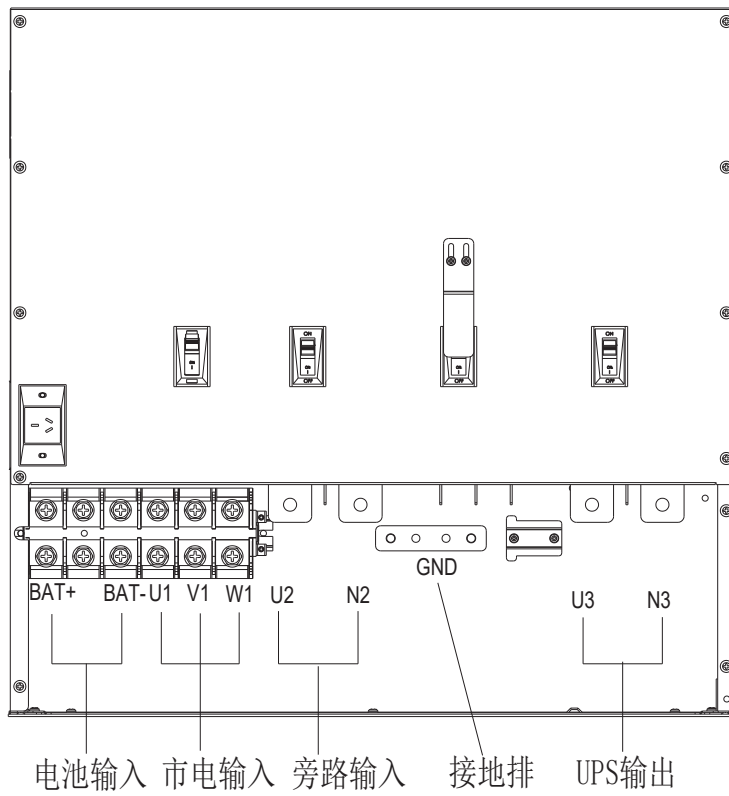


图4-3： 50kVA~80kVA UPS (6P、6P+5TH) 功率电缆连接端子示意图

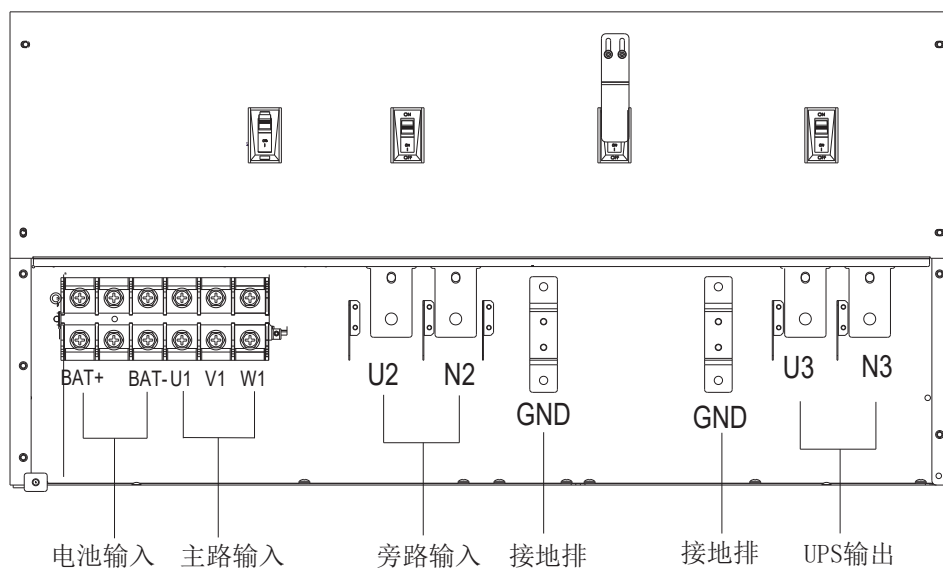


图4-4： 50kVA~80kVA UPS (12P) 功率电缆连接端子示意图

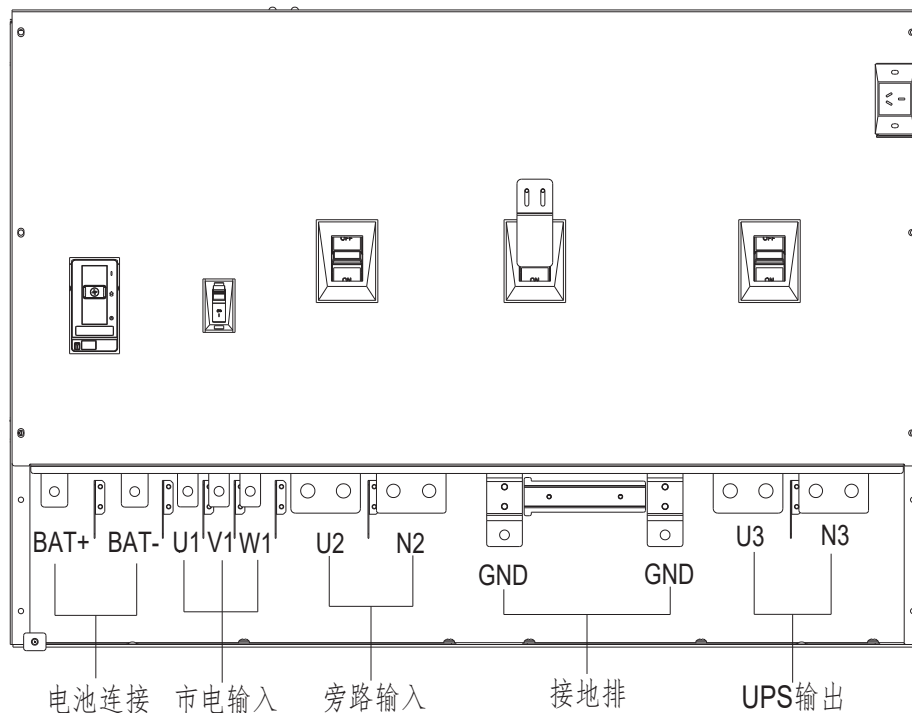


图4-5： 100kVA-120kVA UPS (6P、6P+5TH) 功率电缆连接端子示意图

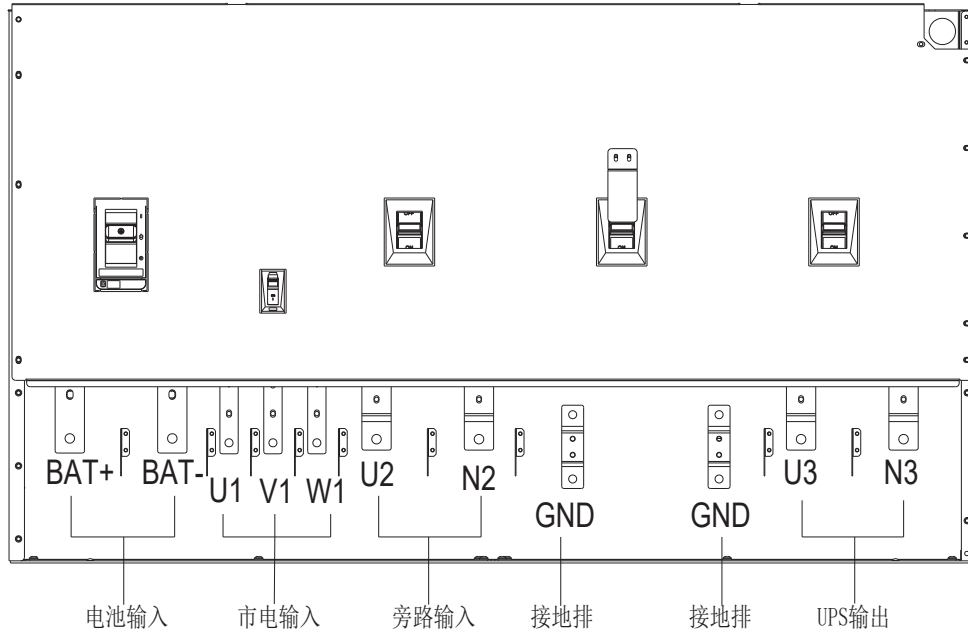


图4-6: 100kVA~120kVA UPS (12P) 功率电缆连接端子示意图

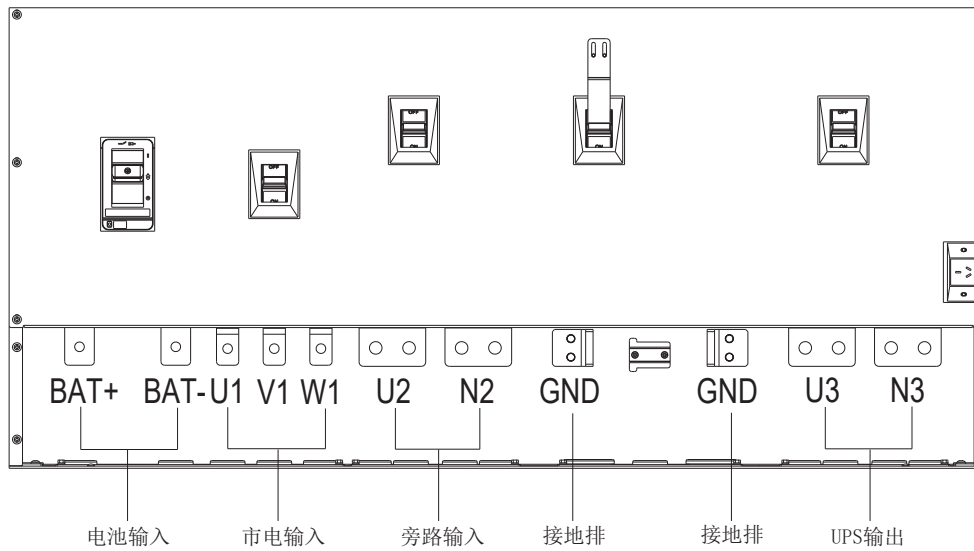


图4-7: 160kVA~200kVA UPS (6P、6P+5TH) 功率电缆连接端子示意图

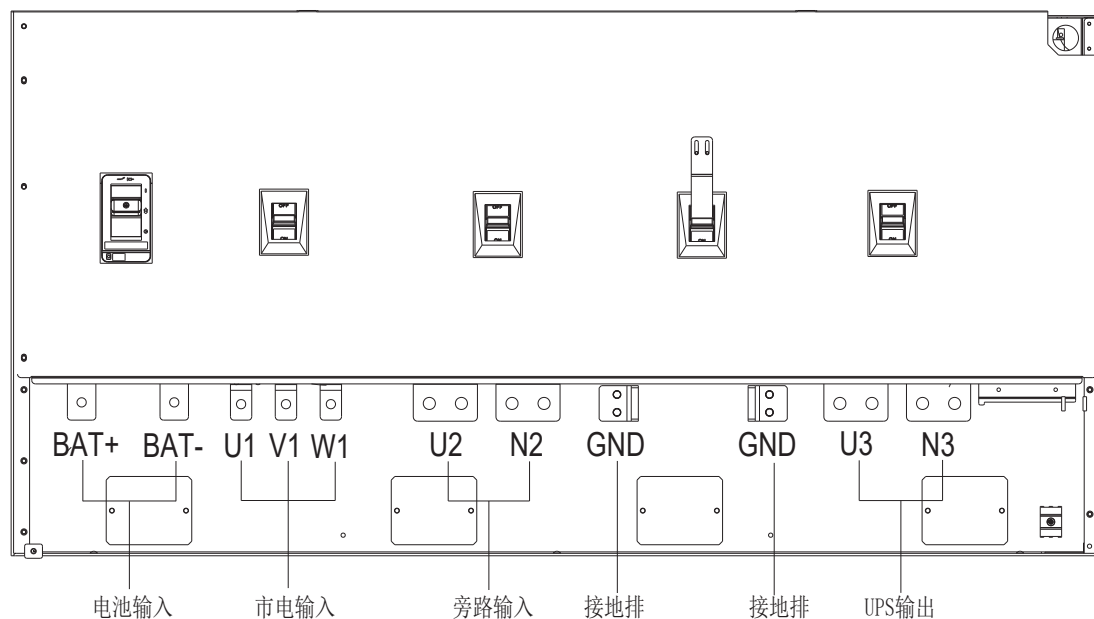


图4-8： 160kVA~200kVA UPS（12P）功率电缆连接端子示意图

4.3.4. 运输固定件拆除

在 100-200kVA UPS 就位前，请务必拆除用于固定输出变压器等元件的运输固定装置。



注意

请在 UPS 机柜并柜前拆除运输固定件。

160/200kVA UPS 变压器和电感固定件拆除步骤

1. 打开机柜后门，若有边柜则打开边柜的前门；
2. 按示意图拆除 160kVA/200kVA UPS 输出变压器和电感的运输固定件，输出变压器和电感的运输固定件的数量与机器的配置有关。

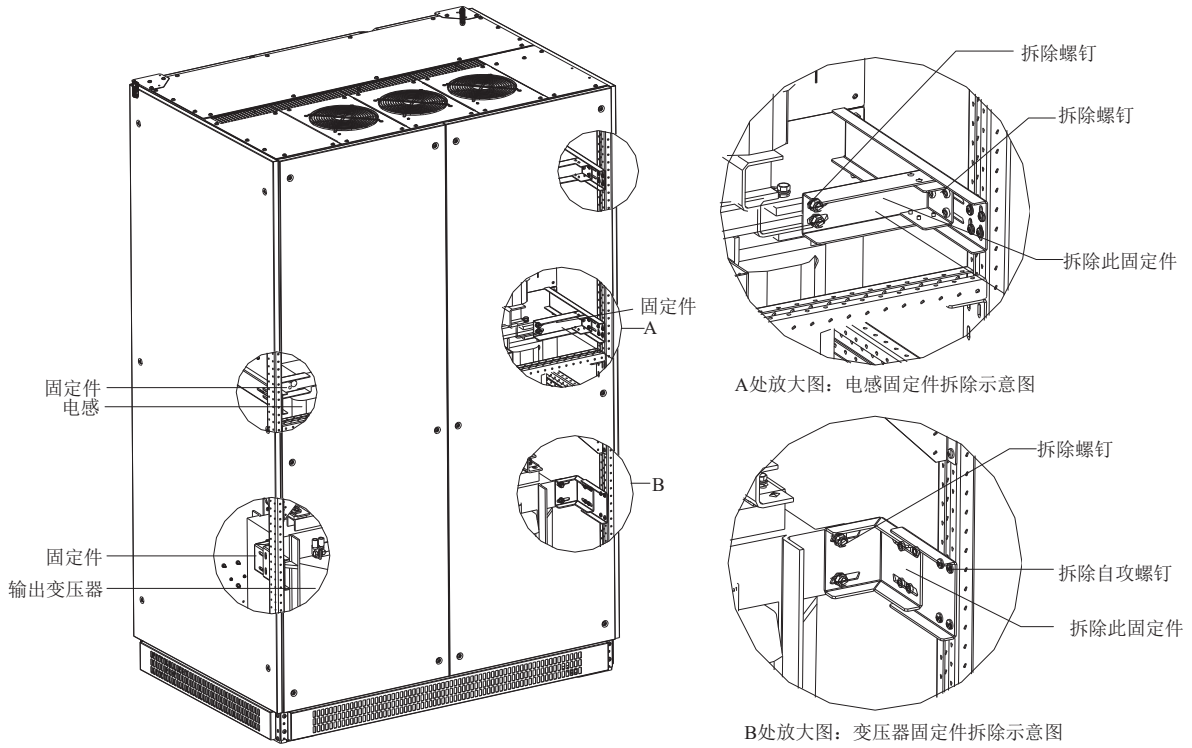


图4-9：变压器和电感运输固定件拆除示意图

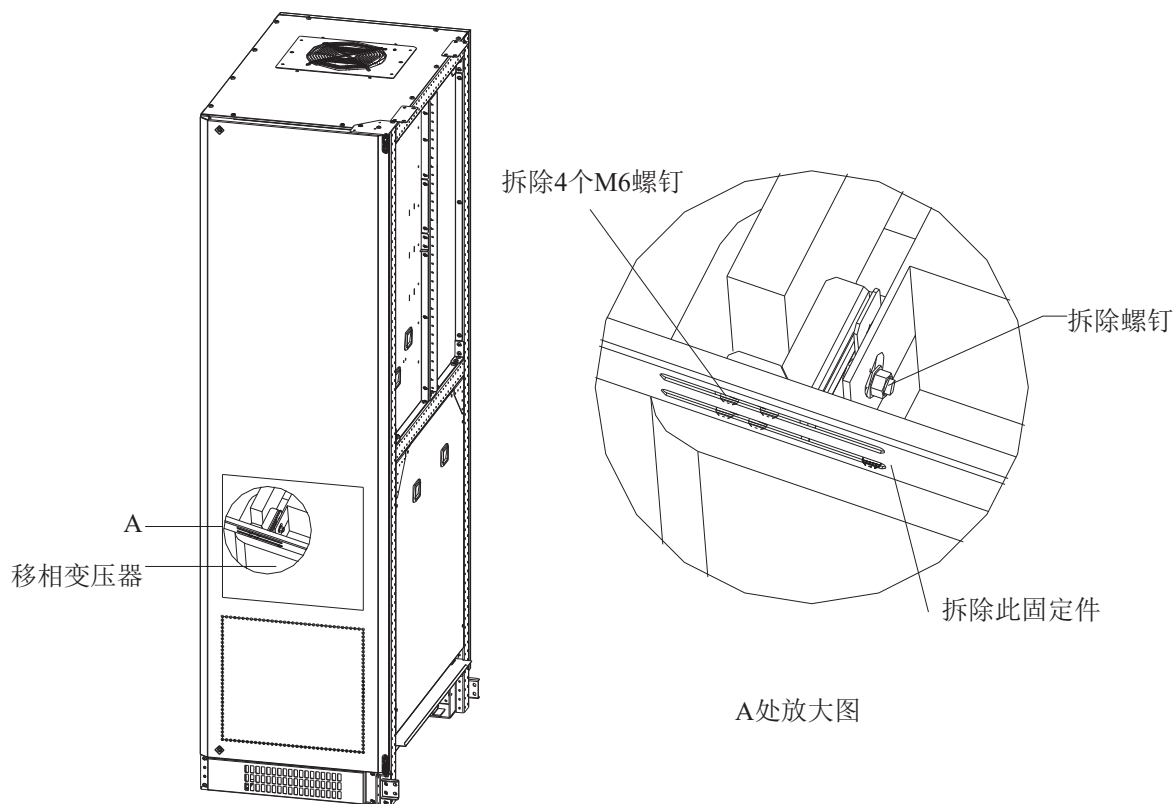


图4-10：变压器和电感运输固定件拆除示意图

4.3.5. 安装Mini-slot 卡（选配）

对于 Mini-slot 配件和通讯装置的选择，见第5章通讯接口。对于 Mini-slot 卡的安装和设置，请联系山特的代理商。

安装线缆：

1. 请先安装网络端口和电话端口的接线；
1. 打开 UPS 的前门；
2. 松掉 Mini-slot 盖板上的螺丝，并取下盖板。然后推入装置；
3. 锁紧 Mini-slot 通讯装置上的螺丝；
4. 连接 Mini-slot 卡上的网线，电话和其他线缆。线缆需要从 UPS 顶部的信号线通道过线；
5. 对于 Mini-slot 卡的手动设置，请参考此卡配套的操作手册；
6. 当所有接线完成，请关上前门，并上锁。



4.3.6. 安装并机系统及并机信号电缆

1. 简介

本系统 UPS 可支持最多 8 台容量相同的型号相同的 UPS 单机直接并联，各台机器经由并机线缆互相连接。

并机系统的基本安装步骤与单机系统类似，本节只针对不同之处描述。

2. 初检

确认各台单机的型号、容量一致，软件硬件版本匹配。

3. 机柜安装

并排放置各单机，进行各单机间的连接。

4. 功率电缆

参见 3.3.1 功率电缆布线。



注意

各单机功率电缆包括旁路输入电缆和 UPS 输出电缆的规格和长度应该尽量相同，以达到最佳的均流效果。

UPS 信号电缆安装方式参考图 5-3 和 图 5-4，具体安装方式如下。

5. 控制电缆

并机电缆

并机系统中的各台单机之间必须连接并机线缆，如下图所示，并机线缆需连接成为闭环，闭环的连接方式可有效提高系统运行的可靠性。

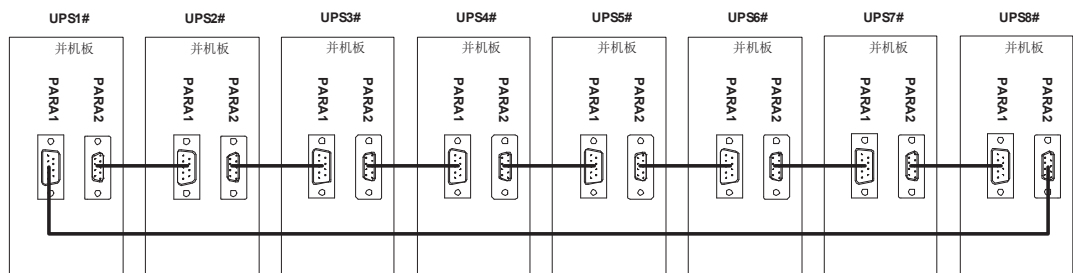


图4-11：系统并机电缆连接

外部输出互锁

UPS 并机板提供外部输出互锁保护信号；开路表示外部输出开关处于断开状态，短路表示外部输出开关处于闭合状态，UPS 外部的输出开关会配有常开辅助触点，该触点需要接入到 UPS 的 I/O 干接点 DB15 端口的 14-15 脚上，此时要把并机板上的 S1 跳线拔除。未配置外部输出开关时需保持并机板上 S1 跳线短接。DB15 端口位置参考参考图 5-3 和 图 5-4。



注意

- 10-40kVA 并机板位于在 UPS 顶部控制单板区域。50-120kVA 位于 UPS 内门的控制单板区域。
 - 只有维护人员才允许打开保护盖板。如配置外部输出开关，应将并机板上 S1 跳线拔除。
-

4.4. 启动

首次启动和操作检查必须由经过授权的 Santak 客户服务工程师执行，否则保修条款将失效。提供这项服务是 UPS 销售合同的一部分。请事先联系(通常要求提前三个工作日通知)，以便预约理想的开机日期。

4.5. 填写安装清单

安装 UPS 系统的最后一步是填写第 12 章安装清单。此清单确保您已经安装了所有的硬件、电缆及其它装置。为保证顺利完成安装，请完成清单上的所有项目。在填写之前，将此清单复印一份，并保存好原始清单。如果要安装并机系统，请在填写完安装清单后再填写并机系统安装清单。

当安装完成后，您的客服代表必须校验 UPS 系统的操作，并确保其能支持关键负载。除了核查软件和操作启动参数，客服代表不得执行任何安装任务。客服人员可能要求提供一份填写后的安装清单，以确认所有设备安装已经完成。



说明

安装清单必须在第一次启动 UPS 系统之前填写。



第5章 通信

本章介绍 Santak SIU UPS 的通信功能，端子配线信息请参考 3.3.2 章节。用户接口面板和端子位置请见图 5-3 和 图 5-4。

5.1. Mini-Slot型通讯卡

Mini-Slot 型通讯卡配合使用的网线和电话线需由场地规划人员或用户提供；Mini-Slot 型通讯卡的安装和设置，请联系 Santak 客服代表，使用说明请参考附带的使用手册。

SIU UPS 有 1 个标准的并在工厂已安装的 Mini-Slot 型通讯卡槽。本 UPS 与下列 Mini-Slot 型通讯卡兼容：

- **工业网关卡**

Santak 工业网关卡综合了 SNMP 卡的诸多例如：SNMP 代理，HTTP/Web 服务器，Modbus 卡的功能。通过结合应用楼宇管理系统（BMS）可为 UPS 系统提供持续、可靠、精确的远程监控服务。用户可享受自定义例如远程关机，卸载等任务，第一时间获取 UPS 的系统提示，而无需亲临现场。



图5-1：工业网关卡

- **二代环境探头**

配合“工业网关卡”使用的二代环境温度探头，支持 4 个串联，最长 50 米连接。同时侦测环境的温度和湿度。采用磁吸易安装，并提供额外的 2 个数字量输入。可以在 Web 卡中设置温度和湿度的告警限制并配合 Santak 的 IPM 和 IPP 软件进行实时监控。对于铅酸电池，可以实现电池的温度补偿功能。



图5-2：二代环境探头

5.2. 干接点接口 (I/O) :

输入输出干接点接口包括 1 个可自定义输入信号接口，具体自定义功能实现需要与厂家联系，默认干接点接口描述见表 5-1。

表5-1：干接点信号检测接口描述

接口管脚	标签	默认状态	意义
1	BFD_NO	NO	旁路反灌保护输出干接点
2	BFD_COM	公共端	
3	BFD_NC	NC	
4	PROG_NO	NO	综合告警输出干接点
5	PROG_COM	公共端	
6	PROG_NC	NC	
7	YGND	常开	输入干接点，具体自定义功能实现需要与厂家联系
8	BCBON_F		
9	预留	/	/
10	预留	/	/
11	预留	/	/
12	预留	/	/
13	预留	/	/
14	并机输出开关 NC	常闭	14-15 短接时，UPS 显示输出开关闭合
			14-15 开路时，UPS 显示输出开关断开
15	并机输出开关 COM		如配置外部输出开关，应将并机板上 S1 跳线拔除。

干接点输入信号线缆必须要与功率电缆分开布线，并且必须为双重绝缘绞线电缆，线缆线径通常为 $0.5\text{mm}^2 \sim 1.5\text{mm}^2$ ，最大支持 25m ~ 50m 接线距离。



表 4-2 所列用户环境接点符合 SELV (安全特低电压) 要求，另外用户接入端也应符合 SELV (安全特低电压) 要求。



对 UPS 进行接线前，为防止触电，请务必注意前端配电开关不能闭合，所有配开关必须要做好相关的警示标识。



5.3. UPS信号线接口位置

打开 UPS 前门，找到相对应的 DB9 端口进行连接，将固定螺母锁紧，线缆沿途绑扎固定好，UPS 信号电缆接口位置参考图 5-3 和 图 5-4，具体安装方式如下。

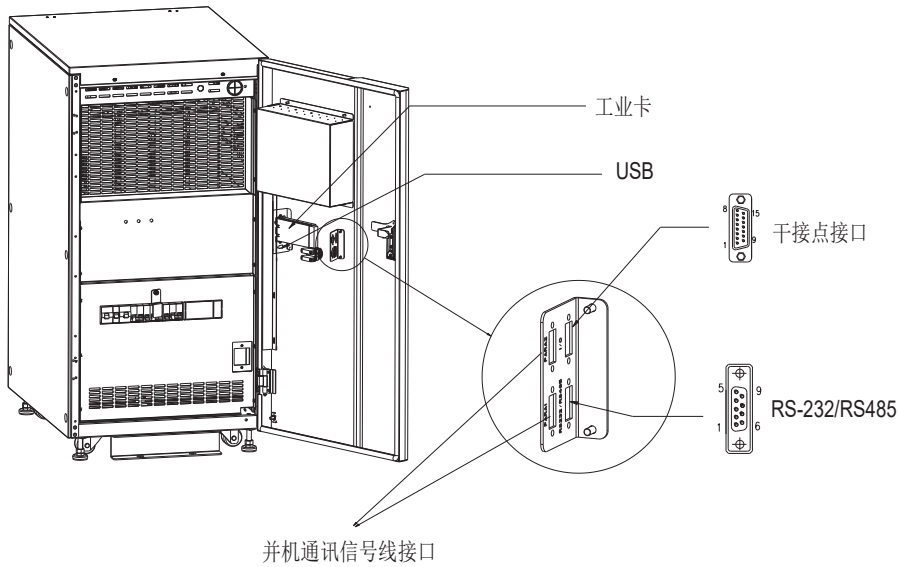


图5-3： 10~40kVA UPS信号电缆安装示意图

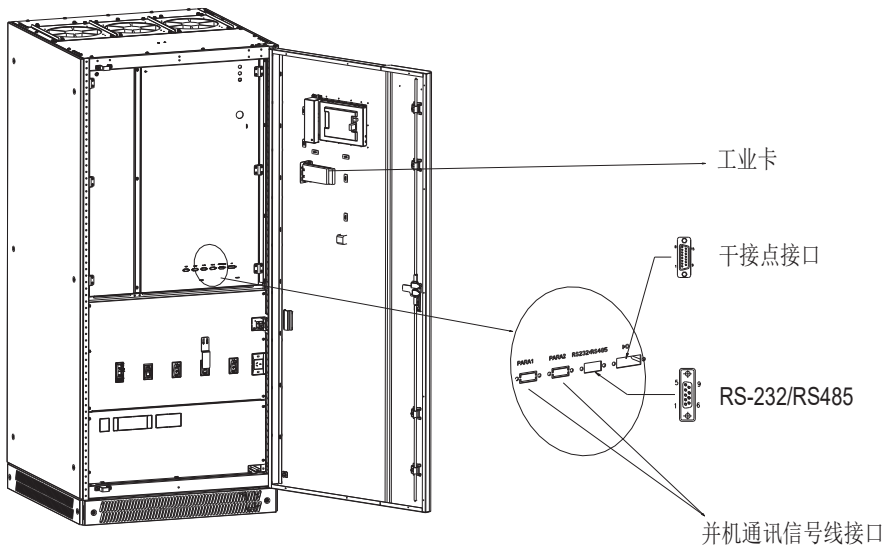


图5-4： 50~200kVA UPS信号电缆安装示意图

第6章 UPS运行

6.1. 设计介绍

6.1.1. 基本原理

UPS内部交-直-交变换器工作原理框图如下所示。交-直变换部分采用三相全控晶闸管整流电路，把三相交流电变换成稳定的直流母线电压。

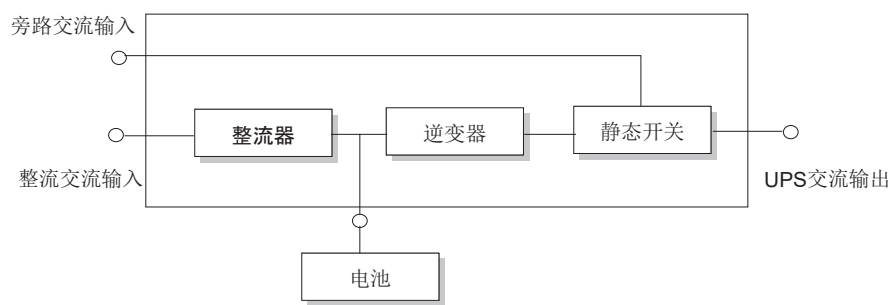


图6-1：UPS变换器工作原理框图

电池经由电池接触器连接至直流母线，电池管理使用智能化电池管理技术，以及精准的温度补偿功能，可有效延长电池使用寿命。

市电输入正常时，整流器、逆变器同时工作，给负载供电，同时整流器还对电池进行充电；当市电输入异常时，整流器关闭，电池放电，并经由逆变器给负载供电；当电池放电到电池终止电压时，逆变关闭，如果旁路可供电，则转至旁路模式供电，否则负载掉电。从市电输入异常到电池放电终止电压的时间，称作“电池后备时间”。电池后备时间的长短与所带负载以及电池的容量相关。

6.1.2. 旁路

UPS通过控制内部静态开关可选择负载经由逆变器供电还是旁路模式供电。在正常情况下，负载经由逆变器供电，当逆变器发生故障，或者逆变过载超时发生时，UPS转由旁路模式供电。

当旁路源的频率在同步范围之内时，逆变器将跟踪旁路源的频率，以尽量缩短当逆变器异常时，负载由在线模式切往旁路模式供电时的切换时间。

UPS内部配置手动维修旁路开关，当UPS需要维护时，机器工作在旁路时闭合维修旁路开关Q3，旁路输入源将直接经由维修旁路给负载供电，具体操作过程请参考[第5章](#)操作章节。

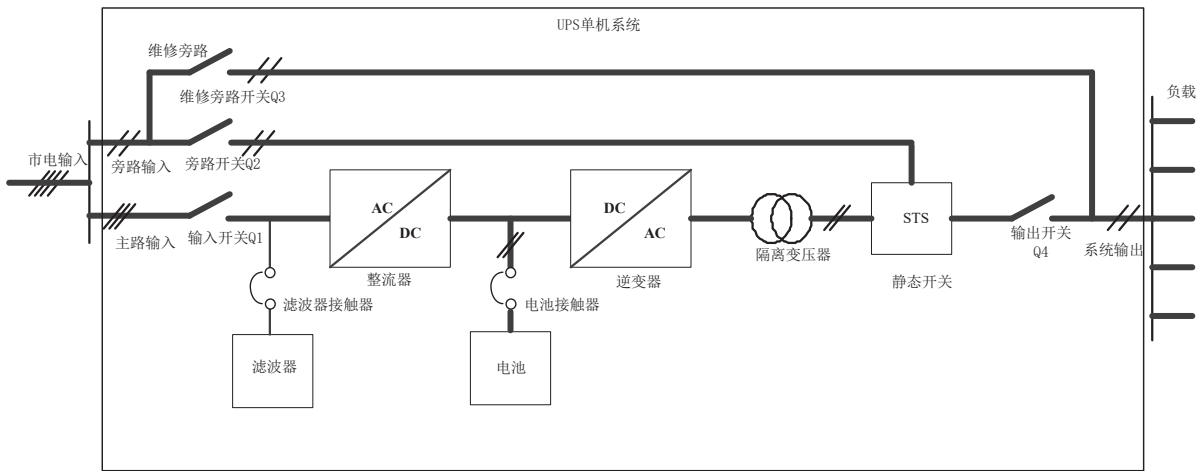


图6-2： 10-80kVA UPS电源开关系统配置

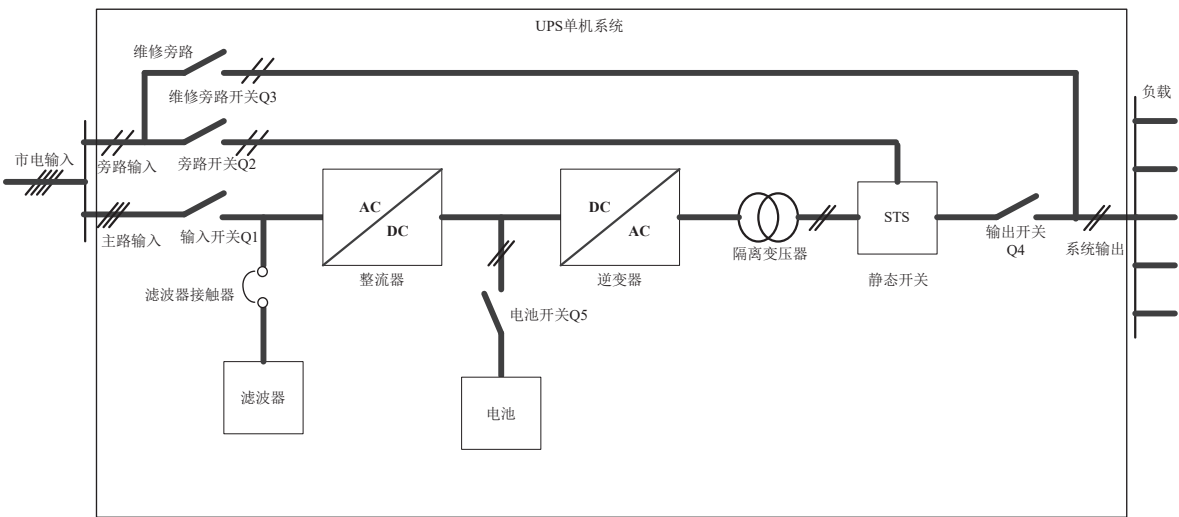


图6-3： 100-200kVA UPS电源开关系统配置

6.1.3. 系统控制原理

1. 正常运行

主路输入正常时，整流器、逆变器同时工作，给负载供电，同时整流器还对电池进行充电。

2. 市电输入异常

当市电输入异常时，整流器将自动关闭，系统转由电池供电，电池供电时间的长短取决于负载的大小及电池的容量。当电池放电到电池终止电压时，逆变关闭，如果旁路可供电，则转至旁

路模式供电，否则负载掉电。

电池正常接入后，市电输入异常和恢复不会中断对负载的供电。

3. 市电输入恢复

市电输入异常后，系统转由电池逆变供电，在电池放电终止前，市电输入恢复，则整流器将自动开启，系统将由电池模式供电逐渐转换成整流和电池联合供电，当整流启动完成后，系统最终转换为在线模式供电，同时整流器将对电池进行充电。

如果市电输入在电池放电终止后恢复，当市电输入恢复后，整流器自动开启，如果后台设置自动启动允许，则系统先经由旁路模式供电，在整流器开启完毕后，逆变器将会自动开启，直至切换到逆变供电。

4. 维修旁路

UPS内部配置手动维修旁路开关，当UPS需要维护时，在机器工作在旁路时闭合维修旁路开关Q3，市电输入将直接经由维修旁路给负载供电，具体操作过程请参阅[第8章](#)“UPS操作说明”。

5. UPS单机故障

UPS运行过程中，如果出现逆变器故障，负载将会自动切至旁路模式供电，输出电源不中断。对于并机系统中某个单机发生故障，该单机将自动退出并机系统，如果系统剩余的UPS仍能满足负载的供电要求，系统将维持在逆变供电，负载电源不中断。如果剩余的UPS不能满足负载供电要求，如果此时旁路可供电，则系统将切换至旁路模式供电，如果此时旁路不可供电，则负载掉电。

6.1.4. UPS电源开关配置

标准机型中，旁路开关Q2与市电输入开关Q1的输入已经短接，即旁路输入与整流器输入源为同一路输入源。如果需要采用不同的输入源，则需要拆除短接装置，具体操作请参考[第3章](#)相关章节。

6.1.5. 电池温度补偿

UPS电池管理具有电池温度补偿的功能（此功能需要设置，默认为禁止电池温度补偿功能）。当电池周围环境温度升高时，电池充电电压相应降低，当电池周围环境温度降低时，电池充电电压相应升高，通过改变电池充电电压的方式，为电池提供最优的充电电压。电池温度补偿的功能需要与电池温度检测装置一起使用，请选配伊顿二代环境温度探头。



6.2. 运行模式

UPS 可工作于多种运行模式：

在线模式

市电输入通过整流器整流后，再经过逆变器为负载供电，同时对电池进行充电。

旁路模式

旁路输入经由静态旁路对负载供电。非 ECO 模式下，系统是优先逆变供电，在旁路模式供电可认为是一种异常工作状态，或者是将负载从逆变器切往维修旁路模式供电的一种中间供电方式。

电池供电模式

电池模式为电池通过逆变器给负载供电的运行方式。当市电输入异常时，系统将自动转为电池模式。当市电输入恢复后，系统会自动切换回在线供电模式。整个过程无需人工干预，输出电源不中断。

电池充电模式

UPS 通过整流器给电池进行充电，电池充电分两个阶段，第一阶段是先进行“限流充电”，在限流充电过程中电池充电电压会持续上升，在升至目标充电电压后会进入第二阶段“恒压充电”。

电池均充功能默认禁止。

经济运行（ECO）模式

在经济运行模式下，旁路优先给负载供电，当旁路源的电压源超出额定值 $\pm 10\%$ ，或者频率超过可跟踪范围，则负载将切换回逆变供电。

维修供电模式

维修旁路开关 Q3 闭合，旁路输入源通过维修旁路直接给负载供电。

市电电池共同供电

电池和整流器同时通过逆变器给负载供电的模式。市电电池共同供电模式一般出现于整流器无法完全满足负载供电需求，这时需要电池放电来保持电压的正常输出。市电电池共同供电时，一般会伴随“整流器限流”的告警出现。

并机供电模式

多台单机可组成并机供电模式，本系统可支持最多 8 台型号相同的 UPS 单机直接并联，各台机器经由并机线缆互相连接。

第7章 UPS面板说明

7.1. 面板介绍

监控显示面板位于前门上，采用触摸屏显示，面板主界面见图 7-1。

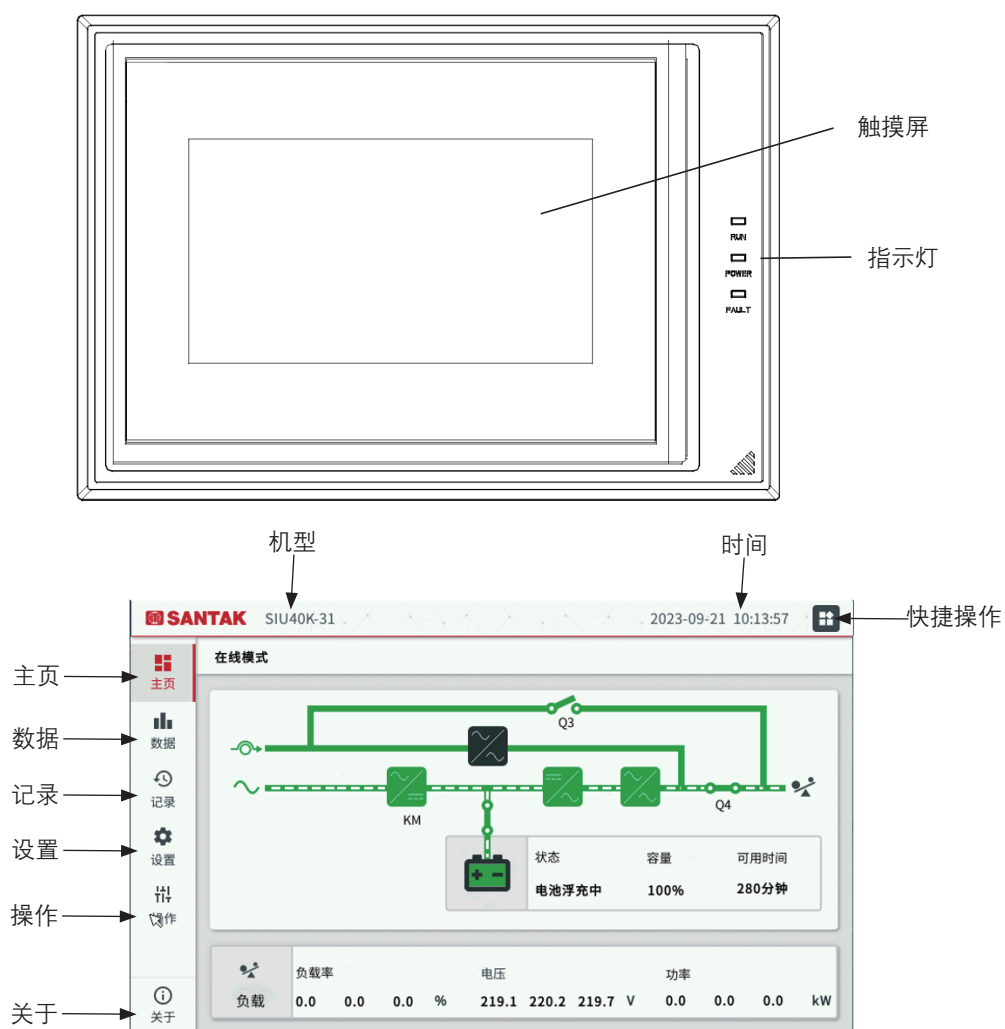


图7-1： 监控显示面板



7.1.1. 蜂鸣器

蜂鸣器有以下三种蜂鸣方式，表示的意义见表7-1。

表7-1：蜂鸣器蜂鸣方式描述

声音告警	描述
短暂的单鸣	点击触摸屏任意区域
间断持续蜂鸣	UPS 存在一般故障时
持续鸣叫	UPS 存在严重故障时

7.1.2. 状态指示灯

指示灯有三种颜色有以下三种蜂鸣方式，表示的意义见表7-2。

表7-2：指示灯亮灯描述

指示灯	描述
NORMAL	该指示灯为绿色，在此灯亮时，设备为正常运行。
WARNING	该指示灯为黄色，在此灯亮时，设备有一般故障告警。
FAULT	该指示灯为红色，在此灯亮时，设备有严重故障告警。

7.1.3. 触摸屏

用户可通过触摸屏观察UPS的输入、输出和电池参数，及时获得UPS的当前状态和告警信息，并进行相关功能设置和控制操作。

7.1.4. 显示信息

1. 主界面

主页界面分为菜单区、标题区和信息显示区。菜单区有六个菜单项，各菜单功能见表7-3。

表7-3：菜单按键功能描述

图标	功能描述
主页	按下返回主界面
数据	按下进入输入、输出及电池信息的显示界面
记录	按下进入告警及记录显示界面
设置	按下进入各种功能设置界面
操作	按下进入控制操作界面
关于	按下进入设备信息显示界面

主界面信息显示区对系统输入、输出及电池主要信息进行显示，并对各模块工作状态实时监控。点击各模块可进入查看更详尽的信息。

2. 数据界面

用户点击主页菜单的数据菜单进入UPS各项数据查询窗口，可通过界面左侧菜单按键及显示区下方左右翻页按键进行相应数据查询。



The screenshot shows the '数据' (Data) menu selected in the left sidebar. The main content area displays '主路输入' (Main Input) data in a table format. The table has four columns: '线电压(V)' (Line Voltage), '电流(A)' (Current), '频率(Hz)' (Frequency), and three phase columns (AB, BC, CA). The data values are as follows:

	AB	BC	CA
线电压(V)	393.8	396.9	396.3
电流(A)	4.6	4.3	4.4
频率(Hz)	49.97	49.97	49.97

图7-2：数据窗口

3. 记录界面

用户通过点击主页界面的记录菜单按钮进入当前告警及历史记录查询界面，可记录多达12000条记录。



The screenshot shows the '记录' (Record) menu selected in the left sidebar. The main content area displays '当前记录' (Current Record) and '历史记录' (History Record) tabs. The '当前记录' tab is active, showing a table of records with columns: '序号' (Serial Number), '等级' (Level), '名称' (Name), '时间' (Time), and '信息' (Information). The data is as follows:

序号	等级	名称	时间	信息
0	●	滤波器未接入	2023-04-18 04:46:39	!
1	●	维修开关断开	2023-04-18 04:46:43	!
2	●	电池接触器闭合	2023-04-18 04:56:44	!
3	●	在线模式供电	2023-04-18 04:57:08	!
4	●	输出开关闭合	2023-04-18 04:59:17	!

图7-3：当前记录窗口



历史记录：

序号	等级	名称	时间	状态	信息
188	●	在线模式供电	2023-04-18 04:56:42	置上	ⓘ
189	●	旁路供电	2023-04-18 04:56:43	清除	ⓘ
190	●	电池接触器断开	2023-04-18 04:56:44	清除	ⓘ
191	●	电池接触器闭合	2023-04-18 04:56:44	置上	ⓘ
192	●	市电电池共同供电	2023-04-18 04:57:01	置上	ⓘ
193	●	在线模式供电	2023-04-18 04:57:01	清除	ⓘ
194	●	市电电池共同供电	2023-04-18 04:57:08	清除	ⓘ
195	●	在线模式供电	2023-04-18 04:57:08	置上	ⓘ
196	●	逆变开机	2023-04-18 04:59:10	置上	ⓘ
197	●	输出开关断开	2023-04-18 04:59:17	清除	ⓘ
198	●	输出开关闭合	2023-04-18 04:59:17	置上	ⓘ

图7-4：历史记录界面

4. 设置界面

用户点击主页的设置菜单进入设置界面，可直接对通用设置各项内容进行设置。

常规设置：

日期：2023 年 9 月 21 日
时间：10 时 15 分 58 秒
屏保：定时屏保
语言：中文

取消 保存

图7-5：常规设置界面

5. 操作界面

操作界面共有四个控制按键，见图7-6。控制按键的功能描述见表7-4。



图7-6：操作界面

表7-4：按键及其功能描述

按键	功能描述
逆变启动	按下启动逆变器。
	注意：若逆变器不满足开启条件，按下不能启动逆变器。
逆变关闭	按下可关闭逆变器。
告警消音	新告警产生蜂鸣器将发出蜂鸣，按下可将告警蜂鸣器消音。
故障清除	按下可清除锁存故障。
关于	按下进入设备信息显示界面

6. 关于界面

该界面显示系统软件版本及设备信息，见图7-7：



图7-7：关于界面



7. 屏保

UPS上电启动完成后或UPS运行过程中，如10分钟内无任何故障，也无任何按键操作，系统会自动进入屏保。背光灯熄灭后，当有新的告警或点击触摸屏任意区域，背光灯被点亮，触摸屏将回到主页界面。

8. 提示窗

UPS运行时，当需要提醒用户或需要用户进行确认等操作时，会跳出提示窗。提示窗信息及解释见表7-5。

表7-5：提示窗信息和解释

序号	提示窗信息	解释
1	间断切换，请确认或取消	点击确认将会间断切换到逆变供电。
2	当前负载大于单机容量，无法完成间断切换	负载小于单机容量时，才能够切换到逆变供电。
3	旁路异常，停机导致输出掉电，请确认或取消	因旁路无法带载，关掉逆变，UPS将会无输出。
4	负载过大，停机导致输出过载，请确认或取消	关掉本机，UPS并机系统将会过载。
5	当前负载大于启动容量，无法切换到逆变供电	负载小于单机容量时，才能够切换到逆变供电。
6	电池电量将全部放完，请确认或取消	选择电池容量测试时弹出，电池容量测试会将电池放电至电池电压低。
7	不满足电池测试条件，请检查电池和负载状态	电池测试条件不满足时弹出，进行电池测试，需电池容量满，且负载必须在10%至90%之间。
8	不满足强制均充条件，请检查电池设置和状态	不满足强制均充条件时弹出。
9	系统测试完成，UPS系统正常	无需任何操作
10	系统测试完成，请检查当前告警	
11	请输入控制密码	执行电池或UPS测试以及UPS设置时，需输入密码。

9. UPS告警信息列表

表7-6: UPS告警信息列表

告警信息	解释	告警等级
监控开始运行	监控开始运行	状态
旁路超出跟踪范围	旁路电压幅值或旁路频率超出逆变跟踪范围。当旁路电压和频率恢复后，此告警自动消失	一般
逆变器输出电压异常	逆变器输出电压不满足供电要求，系统转旁路模式	严重
逆变器过温	逆变器桥散热器或者变压器的温度超限，逆变器关闭，系统转旁路模式。当温度恢复正常并经延时后，告警清除，系统自恢复	严重
风扇异常	至少一个风扇出现故障	一般
逆变静态开关故障	逆变输出 SCR 开路或者短路，需下电检查	严重
旁路静态开关短路	旁路 SCR 短路，需下电检查	严重
旁路静态开关开路	旁路 SCR 开路，需下电检查	严重
本机过载	本机负载超过额定负载量，当条件不满足时，此告警可自动清除	一般
并机系统过载	并机总负载超过并机额定总负载量，当条件不满足时，此告警可自动清除	一般
过载时间超限	系统持续过载并超过允许的过载时间，此告警会导致系统切旁路模式。切旁路模式后，如果负载减少至非过载状态延时一段时间后，则系统自动回切到逆变供电	严重
逆变器过流	逆变器电流超限	严重
旁路相序错误	旁路电压相序不正确，请检查线缆连接顺序	严重
负载冲击切旁路	因负载冲击导致输出电压异常而转到旁路模式，此告警可自动清除。对于大负载接入或者非线性负载的接入，建议按顺序开启，以减少对逆变器的冲击	一般
并机电流不均衡	本机电流与并机平均电流之差超限，系统只告警不动作	一般
母线异常停机	直流母线电压异常，此告警产生后，逆变关闭，系统转旁路模式	严重
并机要求切旁路	并机系统中，非本机原因导致的并机系统转旁路模式，则产生此告警	一般
并机线连接故障	并机线缆连接异常，请检查并机线缆连接，故障清除后，可按故障清除按键清除此告警	严重
并机通讯故障	并机系统间的通讯存在错误，请检查：1. 并机线缆连接；2. 并机系统的单机是否全部上电。	严重
整流器故障	整流器存在故障，请检查整流器是否损坏	严重
静态开关过温	旁路或逆变输出 SCR 温度超限，请检查环境温度、通风风道和风扇情况	严重
旁路反灌故障	当旁路静态开关发生短路故障时，输出电压会反灌回电网，用户如有配置旁路保护空开，且开关辅助触点正常连接至输出 I/O 干接点，则此告警产生后，会发送脱扣命令至旁路保护空开使其脱扣；若用户未配置脱扣相关的功能，则需注意此时旁路带电，操作时，需要特别小心	严重
市电输入低压超限	市电输入电压超出整流器低压范围	一般



告警信息	解释	告警等级
市电输入电压超限	市电输入电压超出整流器正常工作范围，导致整流器无法工作	一般
市电输入频率超限	市电输入频率超出整流器正常工作范围，导致整流器无法工作	一般
并机信号切换	并机系统发生了并机信号切换，与并机运行状态相关	一般
市电输入保险断	市电输入保险故障，请检查保险状态，并进行更换	严重
第 1 路辅助电源掉电	第 1 路辅助电源输出电压异常	一般
第 2 路辅助电源掉电	第 2 路辅助电源输出电压异常	一般
市电输入反序	市电输入反序	严重
整流器限流	市电输入电流超限，整流器将对市电输入电流进行限制	一般
电池未接	未检测到电池接入，请检查电池开关以及线缆连接是否正常	严重
电池接反	检查电池线缆极性正确连接	严重
整流器过温	整流散热器温度超限，告警将导致整流器关闭，请检查系统运行环境和通风	严重
市电输入滤波器故障	滤波器电感温度过高，此告警将导致滤波器断开，此故障消失后可手动恢复	严重
滤波器过流	滤波器电流超限，此告警将导致滤波器断开	严重
市电输入缺相故障	市电输入缺相，检查市电输入电源连接情况	严重
直流母线过压	直流母线电压超限，此告警存在，整流器关闭	严重
市电输入电流不平衡	市电输入电流与市电输入电流平均值之差超限，只报警不动作	一般
电池接触器故障	电池接触器故障	严重
电池接触器断开条件异常	系统要求电池接触器断开，但当前不满足断开电池接触器断开条件	一般
环境过温	系统工作环境温度过高	严重
电池过温	电池温度过高，检查电池工作状态	严重
电池接触器断开	电池接触器断开	一般
电池开关断开	电池开关断开	一般
电池接触器闭合	电池接触器闭合	状态
电池开关闭合	电池开关闭合	状态
电池低压预告警	电池电压过低	一般
输出禁止	电池放电终止后，当市电输入恢复，如果系统禁止输出，则告警“输出禁止”，如果设置延时恢复，则当延时时间到后，告警会自动清除，系统自动开起至供电	一般
市电电池共同供电	市电输入与电池共同供电	状态
输出开关断开	输出开关断开	状态
输出开关闭合	输出开关闭合	状态
维修开关断开	维修旁路开关断开	状态

告警信息	解释	告警等级
维修开关闭合	维修旁路开关闭合	状态
旁路开关断开	旁路开关断开	状态
旁路开关闭合	旁路开关闭合	状态
在线模式供电	系统处于在线模式供电状态	状态
电池模式供电	系统处于电池模式供电状态	状态
旁路模式	系统在旁路模式供电	状态
关机模式	关机模式	状态
维修旁路供电	维修旁路供电	状态
ECO 模式	系统正工作在 ECO 模式	状态
电池维护测试中	通过触摸屏对电池进行维护放电测试，此测试将电池放电至 80% 容量左右	状态
电池容量测试中	通过触摸屏对电池进行容量测试中，此测试会将电池至接近于 EOD	状态
电池周期测试中	电池进行周期测试中，此测试将电池放电至 80% 容量左右	状态
市电输入开关断开	市电输入开关断开	状态
市电输入开关闭合	市电输入开关闭合	状态
滤波器未接入	市电输入滤波器还未接入	状态
滤波器接入	市电输入滤波器已经接入	状态
旁路异常	旁路异常，请检查旁路频率以及电压是否异常	一般
EPO	紧急停机，恢复请按故障清除按钮	严重
逆变开机	从触摸屏手动开启逆变	状态
逆变关机	从触摸屏手动关闭逆变	状态
逆变自启	电池 EOD 后，当输入恢复后，逆变会自动开启，并产生此告警	状态
逆变启动失败	因逆变器不满足开机条件，当操作了触摸屏逆变开机按钮后，则会产生此告警。	一般
告警消音	用户操作了触摸屏的消音按钮	状态
故障清除	用户操作了触摸屏的故障清除按钮	状态
取消间断切换	用户根据提示，取消了一次间断切换	状态
间断切换确认	用户根据提示，确认一次间断切换	状态
风险关机取消	用户根据提示，取消了一次并机关机风险	状态
电池放电终止	电池电压低于 EOD 电压点，告警产生后，逆变器关闭，如允许，系统转旁路模式	一般
电池需更换	电池容量异常，不能满足放电需要，建议更换电池	状态
并机隔离态	本机处于与其它并机隔离的状态	状态
TLCD 开始运行	触摸屏开始运行	状态
电池寿命到	电池使用时间达到预设电池寿命	状态



告警信息	解释	告警等级
电池在线自检不通过	电池不在线，请检查电池连接	一般
电池过压	电池电压过高，电池开关将无法闭合	严重
电池电感过温	电池电感温度过高，恢复后，方可闭合电池开关	严重
注：如果选配电池监测系统选件，相关告警请参考电池监测系统手册		

第8章 UPS操作说明

本章介绍UPS的操作注意事项及日常操作方法。

8.1. 简介



注意

- 在系统上电前，请务必拆除 UPS 的防尘罩。并经过授权工程师完成首次上电启动和调试后，用户才可进行相关操作。
- 任何时候 UPS 的输入输出接线端子都有带有危险电压，如果机内装有 EMC 滤波器，该滤波器也会带有危险的电压，请操作时注意风险。
- 用户禁止操作打开需要工具才能够打开的保护盖板，只有合格的维护人员才允许打开此类保护盖板。

8.1.1. 电源开关

用钥匙打开前门后可看到UPS柜内安装的开关，开关的位置如[图8-1](#)和[图8-5](#)所示，开关的定义如下所示：

Q1：输入开关，将市电引入UPS主路；

Q2：旁路开关，将电源引入UPS旁路；

Q3：维修旁路开关，闭合此开关，UPS将直接通过维修旁路给负载供电，供维修UPS时使用。
注意，当UPS系统由两个以上的UPS单元并联组成时，闭合此开关，则并机负载可能全部经由此开关供电，因此并机建议使用外部维修旁路开关而不建议使用内部维修旁路开关。

Q4：输出开关，连接UPS输出与负载。

Q5：电池开关，控制电池的接通，只有在整流器启动后，电池开关才允许闭合

注意：只有100-200kVA UPS在UPS内部配置电池开关Q5。

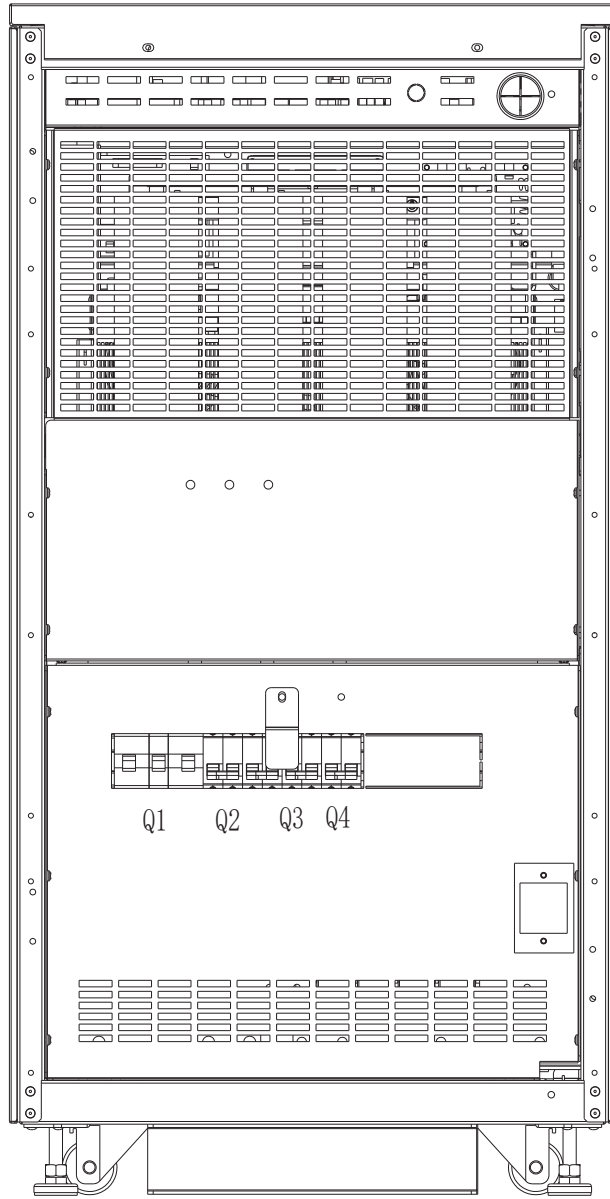


图8-1： 10kVA~20kVA UPS电源开关位置示意图

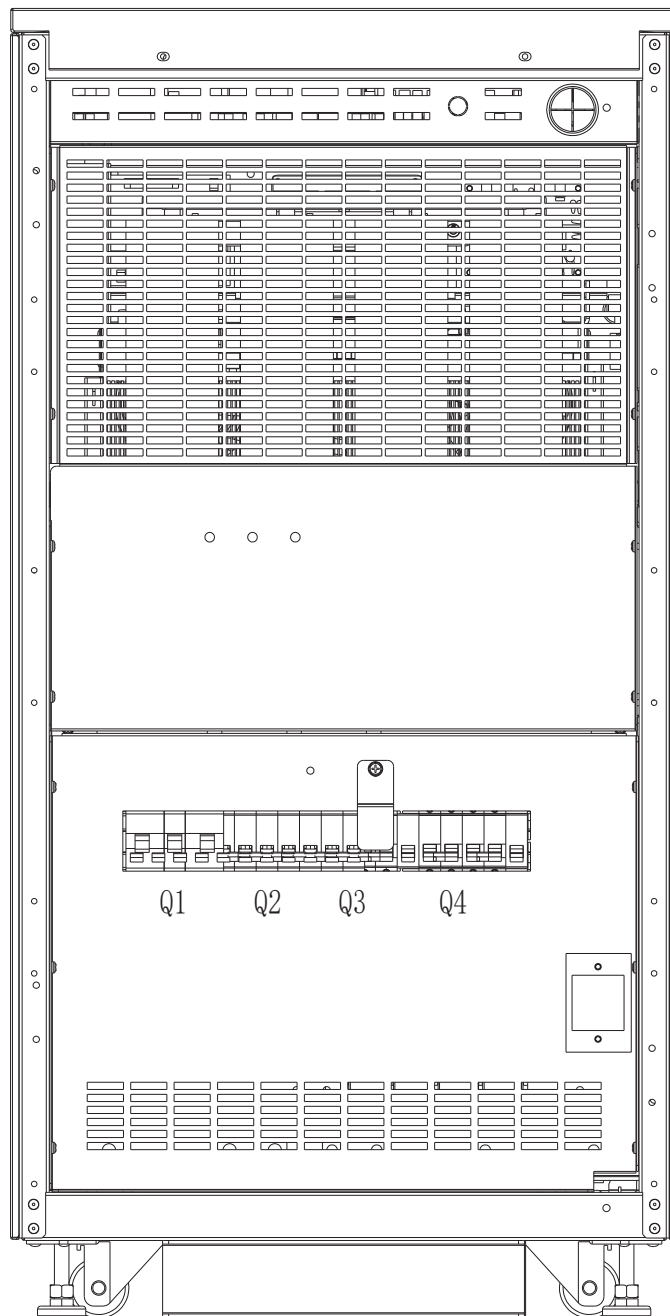


图8-2： 30kVA~40kVA UPS电源开关位置示意图

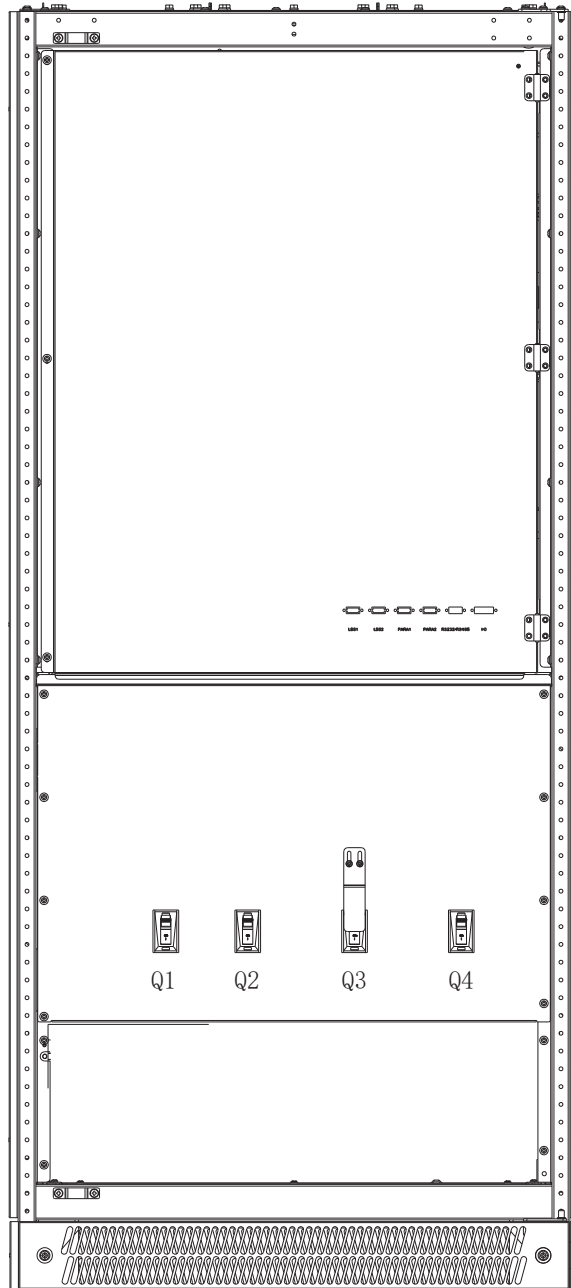


图8-3： 50kVA~80kVA UPS电源开关位置示意图

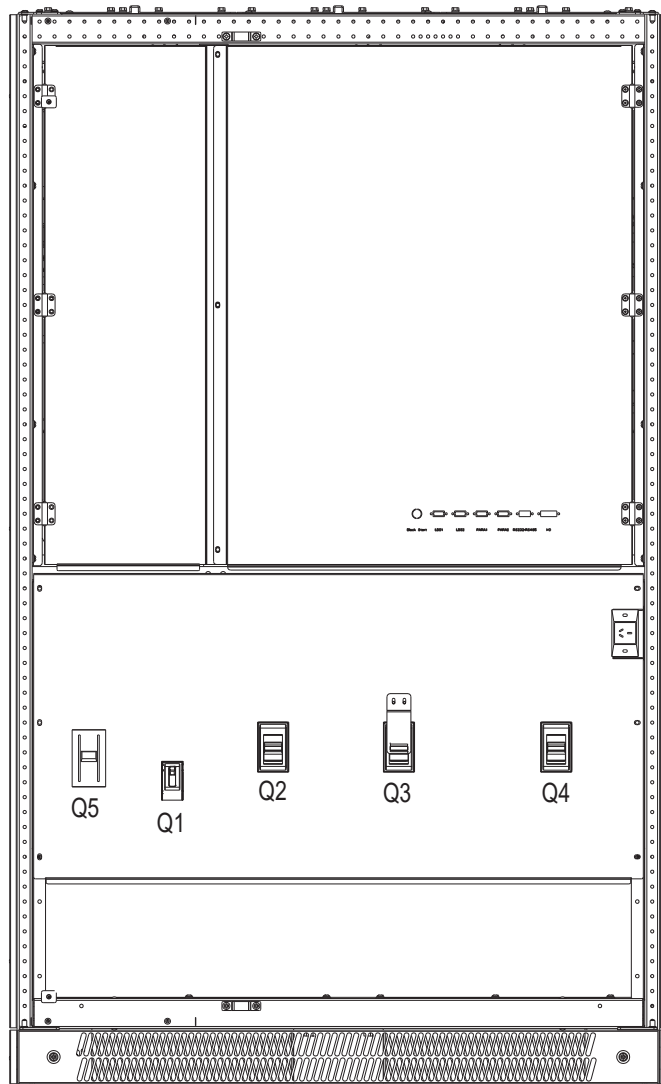


图8-4: 100kVA~120kVA UPS(6P、6P+5TH)电源开关位置示意图

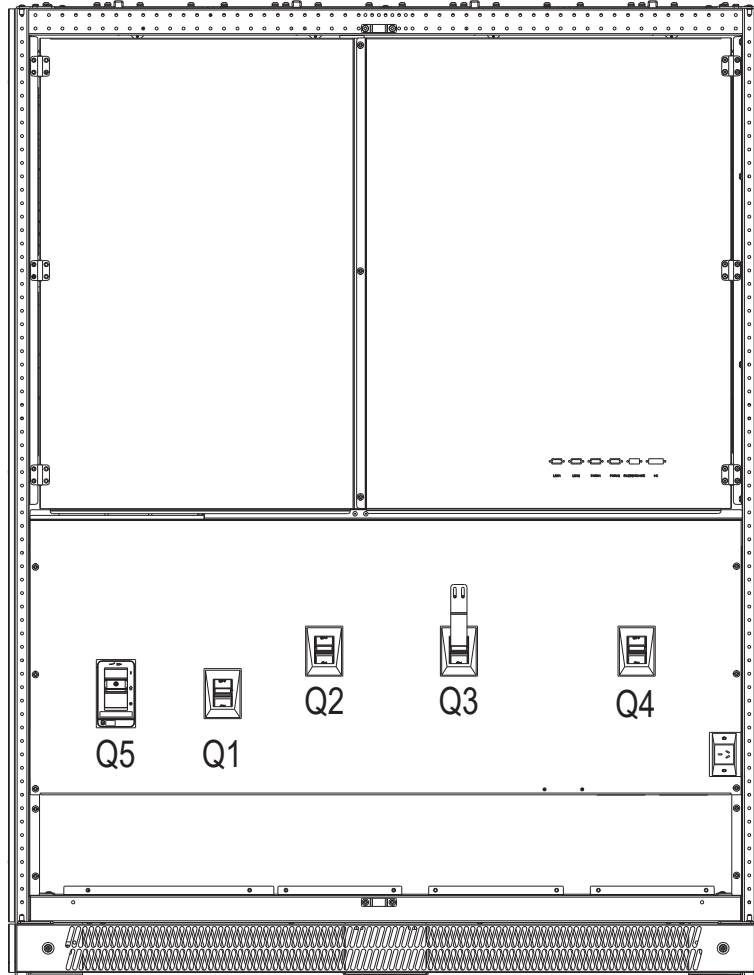


图8-5： 100kVA~120kVA UPS(12P)电源开关位置示意图

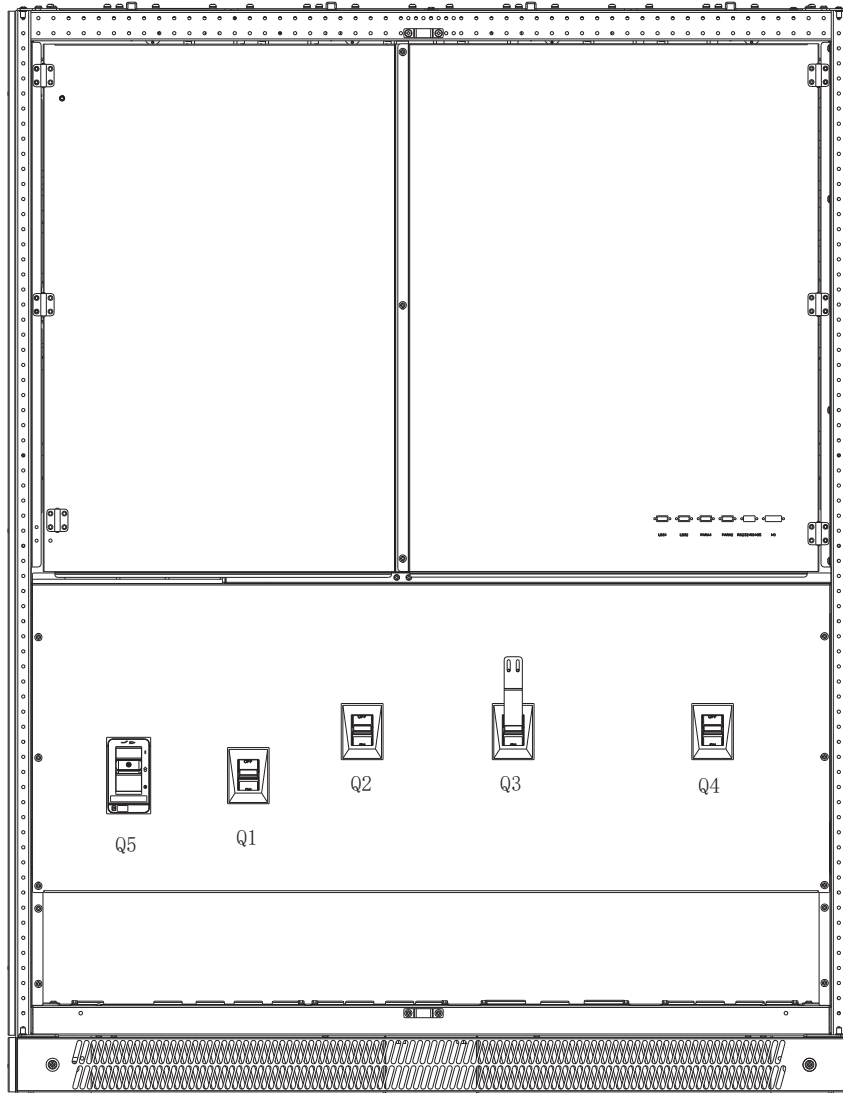


图8-6: 160kVA~200kVA UPS电源开关位置示意图



8.2. 单机操作

8.2.1. 启动UPS至在线模式（默认模式）



注意

- 操作过程中，UPS 输出端子以及与之相连的负载会带电，请做好危险警告标签提示；
- UPS 旁路输入上电，在检测到旁路输入源正常后，UPS 会自动放开旁路，在上电前需要确认 UPS 的输出开关是否可以闭合；
- 闭合市电输入开关 Q1，UPS 检测市电输入正常时整流器会自动启动，在开机时需要进行注意；
- 非指定授权人员请勿尝试开机。

启动 UPS 系统：

1. 打开UPS前面门板，闭合旁路开关Q2，输出开关Q4，以及所有外部输出隔离开关，确认断开维修旁路开关Q3。**UPS上电后，UPS会自动放开旁路**，保持旁路模式供电，此时旁路SCR模块为绿色常亮，并有功率流经过旁路。
2. 从监控面板的当前告警页面中观察是否存在异常告警，如“旁路电压超限”、“旁路静态开关故障”等异常故障告警。

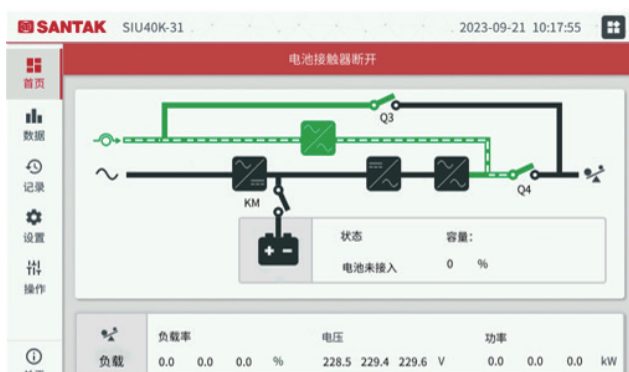


图8-7：UPS电源旁路模式供电

3. 闭合输入开关Q1和外部电池开关，经过10秒左右，**整流器自动启动**，启动过程中整流器模块闪烁，等整流器启动完毕，整流器模块将由绿色闪烁变为绿色常亮。

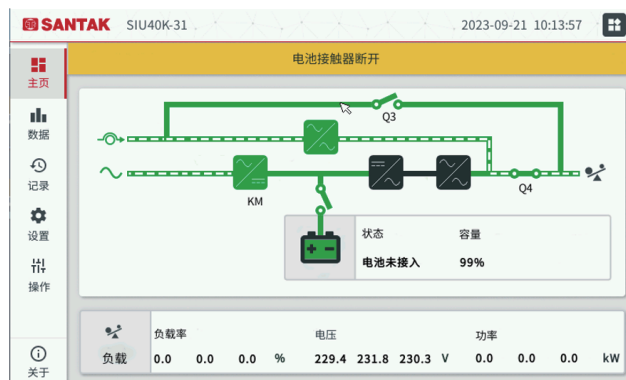


图8-8：UPS电源整流器启动

4. 确认由逆变器供电时，点击逆变启动，启动逆变器。逆变器软启过程中，逆变模块绿色闪烁，逆变器软启结束后，UPS将自动从旁路切到逆变供电，逆变供电后，逆变模块及逆变SCR模块绿色常亮，旁路模块由绿色常亮变为灰色。逆变器开启需要手动闭合电池开关Q5。

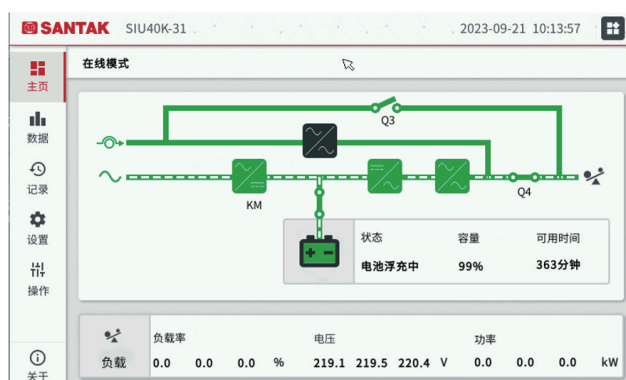


图8-9：UPS电源在线模式运行

5. 检查确认监控面板的当前告警页面除状态告警外无任何故障告警信息。
6. 检查确认门板关好。
7. 至此，UPS在线模式下开机完毕。



8.2.2. “在线”模式与“旁路”模式转换操作

完成下面操作将关键负载转换到“旁路”模式



注意

当 UPS 处于“旁路”模式时，如市电失电或异常发生，关键负载不受保护。

UPS工作在“在线”模式，点击触摸屏菜单栏“操作”界面，进入界面后点击“逆变关闭”在确认后UPS将自动切换至“旁路”模式供电。

UPS工作在“旁路”模式，点击触摸屏菜单栏“操作”界面，进入界面后点击“逆变启动”，在确认后UPS逆变开始软启，软启完后自动切换至“在线”模式

8.3. 经济运行模式下开机步骤

首先确认当前记录页面有“ECO 模式”的状态显示。然后按照“8.2.1. 启动 UPS 至在线模式(默认模式)”正常开机到逆变供电，逆变供电后，系统经过确认会自动转至旁路模式供电，此时，UPS 将自动从逆变切换到旁路模式供电，旁路模式供电后，逆变 SCR 模块变为灰色，旁路模块由灰色变为绿色长亮。

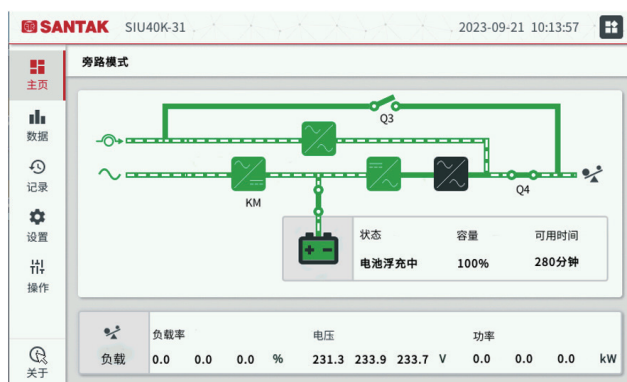


图8-10：UPS电源ECO模式运行

8.4. 电池设置与管理操作步骤

从监控面板进入“测试命令”页面后，可选择“电池强制均充”，“电池维护测试”和“电池容量测试”供用户维护管理电池，选择测试命令后，提示输入密码，密码校验通过后，则会执行相应的电池管理操作。

电池强制均充：命令执行后，UPS 系统将以均充电压（默认为 2.35V/Cell）对电池进行充电。

用户可选择“停止强制均充”退出电池均充状态，或者等待均充达到强制均充保护时间后自动退出。

电池维护测试：命令执行后，UPS 将切换至市电电池共同供电模式，电池以小电流放电，直至放掉

20% 左右的电池容量。

用户可选择“终止测试”退出维护测试。

电池容量测试：命令执行后，UPS 将切换至市电电池共同供电模式，电池以小电流放电，直至产生电池电压低告警。



如需要启动相关电池管理操作，请提前联系客服工程师确认相关风险。

8.5. 关机步骤



此步骤将完全关闭 UPS，UPS 将不再给负载供电，请操作前确认风险。

1. 点击触摸屏上逆变器关闭按钮，如果旁路模式供电存在风险，将会有相应的弹窗提示，请仔细评估此时的弹窗内容，弹窗提示内容说明请参考表 7-6 提示窗信息和解释，逆变关闭后，UPS 会转至旁路模式供电。
2. 打开 UPS 机柜门板，断开 UPS 输出开关 Q4。
3. 断开输入开关 Q1。
4. 断开旁路开关 Q2。
5. 确认维修旁路开关 Q3 处于断开状态。
6. 100-200kVA UPS 则还需断开电池开关 Q5。
7. 断开外部市电配电开关和电池开关并做好警示，使 UPS 处于完全隔离状态。

8.6. “在线”模式与“维修旁路”模式切换



- 此步骤将负载通过维修旁路开关直接连接至旁路输入源；
 - 此操作负载存在供电中断的风险，请小心使用。
-



在线模式切换至维修旁路供电模式操作步骤如下：

1. 确认旁路电源正常可带负载，确认“当前记录”页面无“旁路静态开关故障”、“旁路电压超限”、“旁路反序”等导致旁路不可供电的故障存在。
2. 点击触摸屏上的关逆变按钮，如果旁路模式供电存在风险，将会有相应的弹窗提示，请仔细评估此时的弹窗内容，弹窗提示内容说明请参考表 7-6 提示窗信息和解释，**逆变关闭后，会转至旁路模式供电。**
3. 闭合内部维修旁路开关 Q3，此时维修旁路电源与 UPS 静态旁路并联给负载供电。
4. 断开输出开关 Q4，此时负载将直接由维修旁路模式供电。

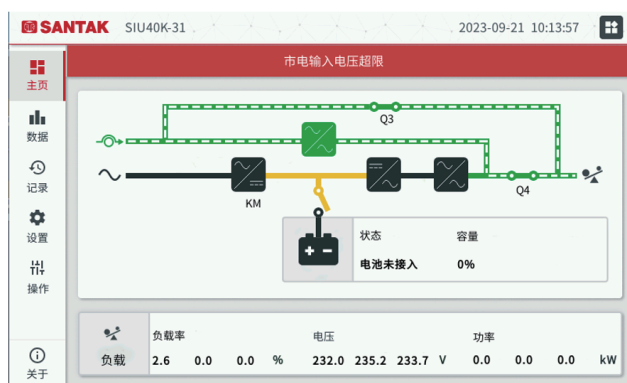


图8-11：UPS维修旁路模式供电界面

如果需要关闭整流器和断开电池接触器，则继续如下操作：

1. 断开输入开关 Q1，旁路开关 Q2 和外部电池开关。
2. 完成上述步骤后，UPS 辅助电源掉电，触摸屏显示关闭，此时，负载由维修旁路模式供电，UPS 完全关机。

维修旁路模式切换至在线模式操作步骤如下：

1. 依次闭合旁路输入开关 Q2、输出开关 Q4，**等待 UPS 自动开启旁路，旁路开启后在触摸屏主页旁路模块会变为绿色，并且有功率流，同时到当前记录界面确认有“旁路供电”的状态；**
2. 异常告警检查，此步需要从触摸屏的当前记录界面中观察是否存在异常告警：如“电池接反”“旁路开路”等异常告警。在检查无异常告警后，进行下一步操作；
3. 确认 UPS 旁路供电正常后，断开维修旁路开关 Q3，闭合主路输入开关 Q1，闭合外部电池开关，待整流器自动开启完毕后（整流模块变为绿色），点击逆变启动，逆变软启完成后，UPS 切换到逆变供电；再闭合电池开关 Q5；

8.7. 并机系统操作步骤



注意

下述操作需要在并机系统中的每台单机都完成后，才能够进行下一步操作。

操作步骤如下：

8.7.1. 在线模式下开机步骤

操作步骤与单机类似，请参见章节 8.2 单机在线模式下开机步骤。

8.7.2. 在线模式与维修旁路供电模式切换

操作步骤与单机类似，请参见章节 8.6 在线模式与维修旁路模式切换，需要注意是在UPS并机系统中所有UPS都处于旁路供电模式时才能去闭合UPS的维修旁路Q3。



注意

当 UPS 系统由两个以上的 UPS 单元并联组成时，闭合维修旁路 Q3，则并机负载可能全部经由 Q3 供电，因此并机建议使用外部维修旁路开关而不建议使用内部维修旁路开关。

8.7.3. 单机脱离开机系统

1. 点击逆变关闭按钮，将UPS逆变器关闭；
2. 待逆变器关闭后，依次断开UPS开关Q4（输出开关），Q1（输入开关）和Q2（旁路开关）。
3. 通过电池空开断开电池与UPS电池端的连接。
4. 如需完全脱离，则断开输入电源和旁路电源的配电开关，以及输出隔离开关。



注意

- 如果没有单独的输出隔离开关，当其它 UPS 运行时，已关闭的本机 UPS 输出端子上仍然存在电压，请小心。
- 母线电容放电时间约 5 分钟，请等待 5 分钟使母线电容放电完成，操作前，请用万用表测试是否存在危险电压。



8.7.4. 隔离状态单机加入并机

该步骤实现将隔离状态的单机加入到并机系统中。并且系统已由授权人员调试完毕。

1. 确定单机安装完毕，外部电源已正确接入单机。
2. 打开门板，断开或者确认维修旁路开关Q3已断开。
3. 闭合旁路开关Q2，输出开关Q4，和外部输出开关（如配置）。
4. 闭合输入开关Q1，整流器自动开启，整流器软起结束后，在主页整流栏会变为绿色。
5. 从监控面板上点击逆变启动按钮，开启逆变器，如电池检测正常，电池接触器会自动闭合，逆变器启动后，自动切换到逆变供电。
6. 逆变器启动后，自动切换到逆变供电。
7. 检查确认 LCD显示屏无任何异常告警。

8.7.5. 关机步骤

操作步骤参见章节[8.5](#)关机步骤。

第9章 UPS维护

9.1. UPS日常维护注意事项：

UPS 系统用于即使在市电断电的情况下为设备供电。只有当 DC 电源断开且电解电容器放电后 UPS 模块内部才是安全的。在断开市电和 DC 电源后，维修人员至少应等待 5 分钟，让电容器放完电，然后再接近 UPS 模块内部。

进行以下操作的工程人员必须受过专业培训。操作维护 UPS 前，应穿戴绝缘鞋、绝缘手套等必要的防护用品，并去除首饰和手表等易导电物体，以免被电击或灼伤。

所有 UPS 内部维护及保养工作都需使用绝缘工具，并且应该由接受过相关培训的人员执行。需使用工具才能打开的保护盖板后的器件为用户不可维护器件。



警告

- 只能由合格的维修人员进行维修和维护。
- 存在致命电压，一定要在设备安全无电的情况下进行维修和维护。切勿对 UPS 系统中任何机柜的带电状态作任何假设。
- 过滤网在重装之前，一定要确认清洗过的过滤网是已经完全干燥的。

9.2. 月度维护

1. 工作环境：检查 UPS 工作环境温度 and 湿度，处于 UPS 工作范围之内。
2. 电网环境：检查电网的电压频率，处于 UPS 工作范围之内。
3. 进入数据界面，查看输入电压频率是否正常。
4. 监控面板：监控面板上各项图形显示单元都处于正常运行状态，所有电源的运行参数都处于正常值范围内，在显示的记录内没出现任何故障和报警信息。
5. 界面正常运行时为绿色，如果有异常，异常部分会根据故障程度，变为橙色或者红色。橙色代表有异常，红色则代表存在严重故障。

9.3. 季度维护

1. 清洁度检查：检查 UPS 灰尘情况，如果灰尘堆积严重需要及时除尘，特别需要清理前门防尘网的积尘或者更换防尘网。
2. 防尘网位于机柜的前侧，打开前门，拆下滤网固定件的螺钉和待更换的滤网，然后更换全新的过滤网，再使用螺钉固定拧紧。



-
3. 状态量记录：检查 UPS 运行状态，点击界面左侧“数据”按钮，进入数据界面，记录 UPS 输入电压、电流、输出电压、输出电流、频率，记录电池浮充电压和浮充电流。
 4. 记录检查：检查 UPS 的历史记录和当前记录，确认是否有异常告警产生。如有异常告警产生，及时检查或者咨询客服。

9.4. 年度维护

每年的预防性维护只能由熟悉本 UPS 系统维护和维修工作并经过授权的客服人员执行。关于维护项目的更多信息，请联系您的客服代表。

第10章 产品技术指标

10.1. 型号

表10-1: UPS配置CTO

配置 额定容量	6P 整流器	6P 整流器 + 5th 滤波器	12P 整流器
10kVA	SIU10K-316PXC	SIU10K-316PFXC	SIU10K-3112PXC
15kVA	SIU15K-316PXC	SIU15K-316PFXC	SIU15K-3112PXC
20kVA	SIU20K-316PXC	SIU20K-316PFXC	SIU20K-3112PXC
30kVA	SIU30K-316PXC	SIU30K-316PFXC	SIU30K-3112PXC
40kVA	SIU40K-316PXC	SIU40K-316PFXC	SIU40K-3112PXC
50kVA	SIU50K-316PXC	SIU50K-316PFXC	SIU50K-3112PXC
60kVA	SIU60K-316PXC	SIU60K-316PFXC	SIU60K-3112PXC
80kVA	SIU80K-316PXC	SIU80K-316PFXC	SIU80K-3112PXC
100kVA	SIU100K-316PXC	SIU100K-316PFXC	SIU100K-3112PXC
120kVA	SIU120K-316PXC	SIU120K-316PFXC	SIU120K-3112PXC
160kVA	SIU160K-316PXC	SIU160K-316PFXC	SIU160K-3112PXC
200kVA	SIU200K-316PXC	SIU200K-316PFXC	SIU200K-3112PXC



10.2. 技术指标

表10-2：整流器电气特性（10kVA ~ 40kVA）

项目	单位	额定功率（kVA）						
		10 (6P)	15 (6P)	20 (6P)	30 (6P)	30 (12P)	40 (6P)	40 (12P)
额定输入电压	Vac	380/400/415						
输入电源类型		三相无 N 线						
输入电压范围 ¹	Vac	285 ~ 498						
额定频率	Hz	50/60						
输入频率范围	Hz	45 ~ 66						
额定输入功率 ²	kVA	13	19	26	38	36	51	48
最大输入功率 ³	kVA	16	24	32	48	45	63	60
额定输入电流 ²	A	19	29	38	58	54	76	72
最大输入电流 ³	A	24	37	48	73	68	95	90
整流软启动时间	S	5 ~ 30						
整流软启动延时	S	5 ~ 600						
注：								
1. 电池数量额定（30 节）时，UPS 在 -15% 输入电压点，可以保证在电池不放电的前提下额定负载输出额定电压。								
2. IEC62040-3（5.2.2）：输入额定电压 380V，额定负载，无电池充电电流。								
3. IEC62040-3（5.2.2）：输入额定电压 380V，额定负载或过载，电池在均充电压以最大可允许的电流充电。								

表10-3：整流器电气特性（50kVA ~ 80kVA）

项目	单位	额定功率（kVA）					
		50（6P）	50（12P）	60（6P）	60（12P）	80（6P）	80（12P）
额定输入电压	Vac	380/400/415					
输入电源类型		三相无 N 线					
输入电压范围 ¹	Vac	285 ~ 498					
额定频率	Hz	50/60					
输入频率范围	Hz	45 ~ 66					
额定输入功率 ²	kVA	64	61	76	73	102	97
最大输入功率 ³	kVA	80	76	96	91	126	121
额定输入电流 ²	A	97	89	116	107	152	174
最大输入电流 ³	A	122	113	146	135	190	181
整流软启动时间	S	5 ~ 30					
整流软启动延时	S	5 ~ 600					
注：							
1. 电池数量额定（30 节）时，UPS 在 -15% 的输入电压点，可以保证在电池不放电的前提下额定负载输出额定电压。							
2. IEC62040-3（5.2.2）：输入额定电压 380V，额定负载，无电池充电电流。							
3. IEC62040-3（5.2.2）：输入额定电压 380V，额定负载或过载，电池在均充电压以最大可允许的电流充电。							

表10-4：整流器电气特性（100kVA ~ 200kVA）

项目	单位	额定功率 (kVA)							
		100 (6P)	100 (12P)	120 (6P)	120 (12P)	160 (6P)	160 (12P)	200 (6P)	200 (12P)
额定输入电压	Vac	380/400/415							
输入电源类型		三相无 N 线							
输入电压范围 ¹		285Vac ~ 498Vac							
额定频率	Hz	50/60							
输入频率范围	Hz	45 ~ 66							
额定输入功率 ²	kVA	123	120	148	144	197	191	245	236
最大输入功率 ³	kVA	154	151	185	180	246	239	306	295
额定输入电流 ²	A	187	182	224	218	298	289	371	358
最大输入电流 ³	A	233	228	280	273	373	362	464	447
整流软启动时间	S	5 ~ 30							
整流软启动延时	S	5 ~ 600							
注：									
1. 使用推荐的电池数量，UPS 在 -15% 输入电压点，可以保证在电池不放电的前提下额定负载输出额定电压。									
2. IEC62040-3 (5.2.2)：输入额定电压 380V，额定负载，无电池充电电流。									
3. IEC62040-3 (5.2.2)：输入额定电压 380V，额定负载或过载，电池在均充电压以最大可允许的电流充电。									

表10-5：UPS旁路输入

项目	单位	额定功率 (kVA)											
		10	15	20	30	40	50	60	80	100	120	160	200
额定电压 ¹	Vac	220/230/240											
电源类型		单相											
额定电流	A	45	68	91	136	182	227	273	364	455	545	728	910
旁路电压范围 ²	%	上限默认 20%，下限默认 - 40%											
旁路电压恢复确认时间	s	2											
逆变器输出电压窗口	%	± 5											
额定频率 ³	Hz	50/60											
输入频率范围 ⁴	%	± 10											
额定 N 线电流		1.7In											
瞬时过载	ms	10	20	50	100	200	500	1000	2000	5000			
	I/In	14	12	11	10	9	8	7	6	5			



表10-6：UPS输出

项目	单位	额定功率 (kVA)											
		10	15	20	30	40	50	60	80	100	120	160	200
额定输出电压 ¹	Vac	220/230/240											
输出电源类型		单相											
频率	Hz	50/60											
有功功率	kW	9	13.5	18	27	36	45	54	72	90	108	144	180
过载时间 ²		125% 负载持续 10 分钟											
		150% 负载持续 1 分钟											
最大允许的非线性负载 ³	%	100											
电压稳定度, 稳态测试 ²	%	± 1											
电压稳定度, 瞬态测试 ⁴	%	± 5											
注:													
1. 默认 220V。													
2. IEC62040-3 (5.3.2)。													
3. IEC62040-3 (ANNEX E)。													
4. IEC62040-3 (5.3.1), 在 0%~100%~0% 负载突加突卸时, 20ms 以内恢复时间为到 1% 精度范围内。													

表10-7：UPS电池参数

项目	单位	额定功率 (kVA)											
		10	15	20	30	40	50	60	80	100	120	160	200
逆变器工作的电压范围	Vdc	300 ~ 460											
推荐的铅酸电池单元数量 ¹	Cell	192											
推荐的浮充电压 2.25V/单体 ¹	Vdc	432											
推荐的均充电压 2.35V/单体 ¹	Vdc	451											
手动最大充电电压 2.40V/单体 ¹	Vdc	460											
电池保护电压 2.45V/单体 ¹	Vdc	470.4											
最大均充时间	h	8 ~ 30											
强制均充时间	h	1 ~ 36											
纹波电压 ³	%	≤ 1											
注:													
1. 相对于额定电压。													
2. 不接电池时, 纹波电压有效值与直流母线电压的百分比。													

表10-8：环境条件

项目	单位	额定功率 (kVA)											
		10	15	20	30	40	50	60	80	100	120	160	200
运行温度范围	℃	0 ~ 40											
相对湿度范围	%	≤ 95											
海拔	m	≤ 1000											
		高于 1000m, 参考标准降额											
储藏温度范围	℃	- 25 ~ 70											



第11章 保修

Santak公司承诺：提供自开机之日起12个月(开机需由Santak或Santak授权工程师自设备出厂3个月内完成)质保或按合同约定。

- 凭开机报告或合同约定的有效保修凭证保修；
- 凭机器生产序号保修。

如果维修不属于保修范围之内，则备件的运输费用包含在维修报价中。如机器发生故障，请拨打Santak服务热线报修。

作为Santak用户，您享有如下服务：

- 一年保修(或遵照协议)；
- 7X24小时热线服务 Santak服务热线：400-830-3938；
- 更多中国地区联系方式: <https://www.santak.com.cn/contact>
全国联合保修（香港、澳门及台湾地区除外）
- 网上技术服务支持；
网站 <https://www.santak.com.cn>
网站咨询/专家解答信箱：4008303938@Santak.com
- Santak UPS保修期内提供免费上门维修服务。

Santak公司标准保修服务承诺不适用于下列情况：

- 非Santak公司产品及部件；
- 超出保修期限；
- 使用了未经Santak公司认可的非标准扩展部件（以随机附赠的用户使用手册中的装箱单为准）或外围设备导致了Santak公司标准部件损坏或者产生故障的；
- 机器序列号被更改或丢失；
- 用户未按说明书要求进行安装、使用、维护、保管而造成损坏的；
- 未依照UPS电气规格规定的供电条件或现场环境使用所导致的故障；
- 用户购买后因运输、移动、疏失等所造成故障或损坏；
- 未经Santak公司授权许可，自行对UPS进行安装调试，私自加以拆修、改装或附加其它配件而造成的故障；
- 由自然灾害（如地震、火灾、水灾等）或人为灾难（如战争、暴力行为等）不可抗力造成的破坏。
- 其它并非产品（包括其部件）本身原因而导致的故障或损坏。

第12章 安装检查单

单机系统安装清单

- 必须从机柜上拆除所有的包装材料和束缚零件。
- UPS 机柜必须放置在要安装合适位置，请勿将 UPS 放置在空调出风口下方。
- 所有的线管和线缆应正确铺设到 UPS 和其它任何辅助机柜。
- 防火泥已填充线缆与机柜之间的缝隙。
- 所有电源电缆应采用合适的规格并接到正确的端子上。
- 已经根据要求安装了中性线。
- 正确安装了地线。
- 电池线正负正确安装。
- 外部告警已正确接线。（可选）
- 外部电池开关处于断开状态，且由于欠压脱扣器的安装及处于欠压状态而无法闭合。
- 外部电池开关已经贴好警告标签。
- 所有端子盖板已安装。
- 附件已固定在其安装位置，配线已经接入 UPS 机柜内部。（可选）
- UPS 安装地附近区域洁净无尘。（Santak 建议 UPS 安装在适合电脑和电子设备的水平地板上）。UPS 及其它机柜周围有足够的操作空间。
- UPS 装置周围有充足的光线。
- UPS 装置周围 7.5 米（25 英尺）内有一个 220V 交流的供电插座。
- UPS 或附件箱的首次启动和操作检查由 Santak 客户服务工程师执行。



并机系统安装清单

- UPS 系统中的每个机柜必须放置在要安装的正确位置位置，请勿将 UPS 放置在空调出风口下方。
- 所有的线管和线缆应正确铺设到 UPS。
- 防火泥已填充线缆与机柜之间的缝隙。
- 所有电源电缆应采用合适的规格并接到正确的端子上。
- 已经根据要求在机柜间安装了中性线。
- 正确安装了地线。
- 正确安装 UPS 之间的并机通讯线
- 正确安装并机接线。
- UPS 及其它机柜周围有足够的操作空间。
- 并机系统或附件箱的启动和操作检查由 Santak 客户服务工程师执行。
- 电池线正负正确且正确安装。

附录 A: 产品中有害物质的名称及含量

部件名称	有害物质					
	铅 (Pb)	汞 (Hg)	镉 (Cd)	六价铬 (Cr(VI))	多溴联苯 (PBB)	多溴二苯醚 (PBDE)
电池类	×	○	○	○	○	○
印刷电路组件	×	○	○	○	○	○
电源线插座端子	×	○	○	○	○	○
箱体五金类	×	○	○	○	○	○
开关 / 断路器类	○	○	×	○	○	○

本表格依据 SJ/T 11364 的规定编制。

×: 表示该有害物质在该部件所有均质材料中的含量均在GB/T 26572规定的限量要求以下。

○: 表示该有害物质至少在该部件的某一均质材料中的含量超出GB/T 26572规定的限量要求。

环保使用期限的免责条款: 环保使用期限规定的具体期限仅为符合中华人民共和国的相应的法律规定, 并非代表我司向客户提供保证或负有任何义务。环保使用期限中假定客户按照操作手册在正常情况下使用本产品。对于本产品中配备的某些组合件 (例如, 装有电池的组合件) 的环保使用期限, 可能低于本产品的环保使用期限。

合格证

本产品经检验, 符合质量标准。

 SANTAK

www.santak.com.cn

山特电子（深圳）有限公司

厂址：深圳市宝安区72区宝石路8号 邮编：518101

客户中心E-mail地址：4008303938@santak.com

客户热线：400-830-3938 / 800-830-3938

www.santak.com.cn